

1-3/4" MASTER RINGS
INSIDE DIMENSIONS 12.00 X 6.00

INDICATOR FLAGS LOCATED AT EACH CORNER
PROVIDE POSITIVE VISUAL CUE OF LOCKED
OR UNLOCKED SPREADER. FLAGS ATTACHED
DIRECTLY TO BAYONETS

STANDARD FLIPPER GUIDE
TYPICAL 4 PLACES

CELL GUIDE WHEELS
FOR EACH CORNER
ARE STANDARD

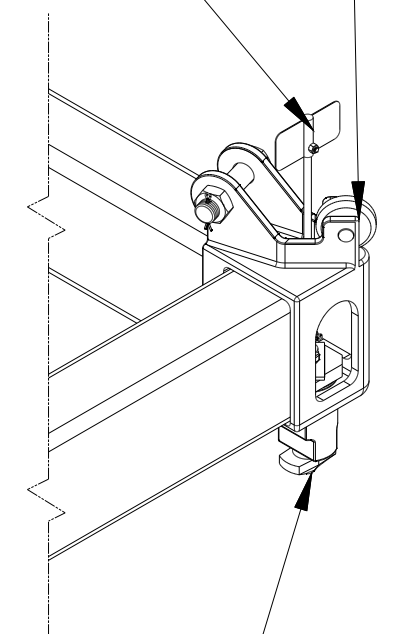
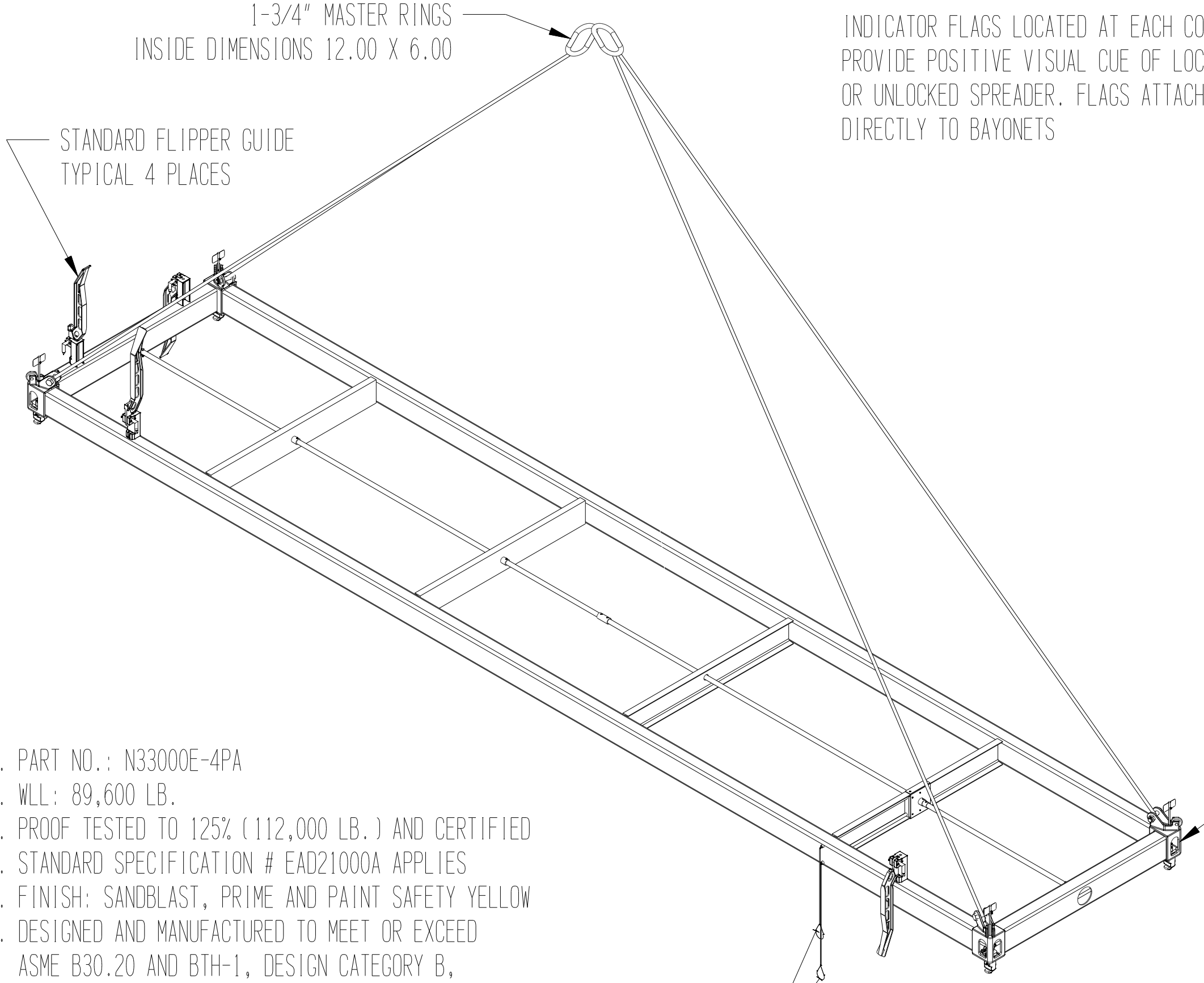
DETAIL A

TWISTLOC BAYONET
(SHOWN LOCKED)
DESIGNED FOR TOP
OPERATURE IN STANDARD
ISO 1161 CORNER FITTING

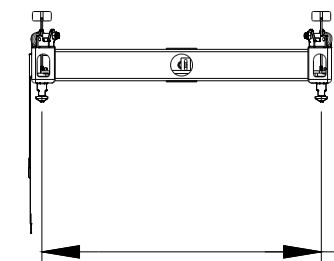
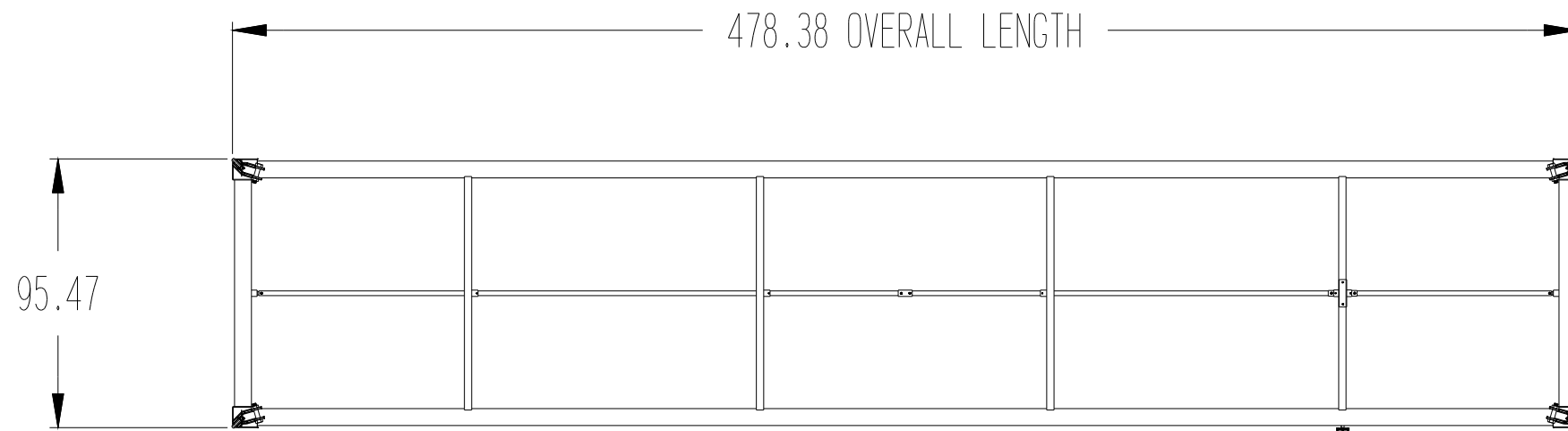
SEE DETAIL A


1. PART NO.: N33000E-4PA
2. WLL: 89,600 LB.
3. PROOF TESTED TO 125% (112,000 LB.) AND CERTIFIED
4. STANDARD SPECIFICATION # EAD21000A APPLIES
5. FINISH: SANDBLAST, PRIME AND PAINT SAFETY YELLOW
6. DESIGNED AND MANUFACTURED TO MEET OR EXCEED ASME B30.20 AND BTH-1, DESIGN CATEGORY B, SERVICE CLASS 0.

WIRE ROPES HAVE HANDLES
ONE HANDLE LOCKS BAYONETS
ONE HANDLE UNLOCKS BAYONETS



UNLESS OTHERWISE SPECIFIED DIMENSIONS ARE IN INCHES TOLERANCES ARE: FRACTIONS DECIMALS ± .XXX ±		CONTRACT NO.			
DO NOT SCALE DRAWING		APPROVALS	DATE		
THIS DOCUMENT CONTAINS INFORMATION WHICH IS THE PROPERTY OF THIS COMPANY. DISCLOSURE, IN ANY MANNER, WITHOUT THE WRITTEN AUTHORIZATION OF THIS COMPANY IS EXPRESSLY PROHIBITED.		DRAWN	DAH	03-26-19	TITLE
NEXT ASSY	USED ON	CHECKED			40' MANUAL SPREADER
APPLICATION		ENGR			SIZE
		DESIGN ACTIVITY			D
					CAGE CODE
					65059
					DWG NO.
					SN33000E-4PA
					REV.
					1 OF 2



UNLESS OTHERWISE SPECIFIED DIMENSIONS ARE IN INCHES TOLERANCES ARE: FRACTIONS DECIMALS ± .XX ± ± .XXX ± DO NOT SCALE DRAWING		CONTRACT NO.			
THIS DOCUMENT CONTAINS INFORMATION WHICH IS THE PROPERTY OF THIS COMPANY. DISCLOSURE, IN ANY MANNER, WITHOUT THE WRITTEN AUTHORIZATION OF THIS COMPANY IS EXPRESSLY PROHIBITED.		APPROVALS	DATE		
NEXT ASSY	USED ON	DRAWN DAH	03-26-19	40' MANUAL SPREADER	
APPLICATION		CHECKED		SIZE D	CAGE CODE 65059
		ENGR		DWG NO.	SN33000E-4PA
		DESIGN ACTIVITY		REV.	-
				SCALE	CALC WT ACT WT SHEET 2 OF 2