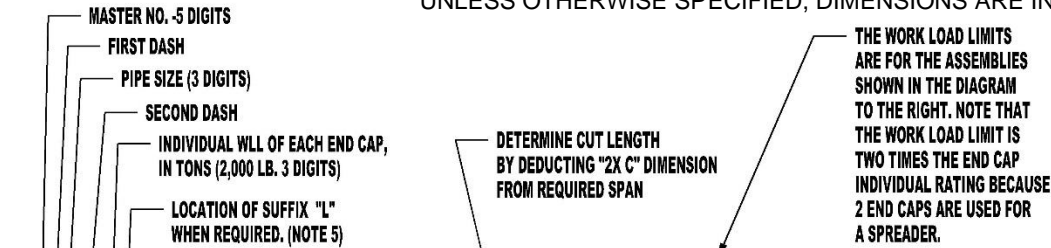


STANDARD SPREADER PIPE FOR USE WITH AC25C END CAPS, (AC22P)

Cage Code: 65059 | Drawing No: AC22P | Revision: U | Sheet: 1 of 2

UNLESS OTHERWISE SPECIFIED, DIMENSIONS ARE IN INCHES



| LG. BASED ORD# | SPREADER PIPE SIZE SCHED | O.D. | I.D. | 2X C | A | B | WLL FOR ASSEMBLED SPREADER | MAX. SPAN AT STATED WLL & LIFT ANGLE | | | CUT PIPE WT.LB./IN. |
|----------------|--------------------------|-------------|--|-------|------|------|----------------------------|--------------------------------------|--------|--------|---------------------|
| | | | | | | | | 45° | 60° | 70° | |
| AC22P-03X-007 | 3"NPS 80/EH | 3.500 ±.035 | 2.90 ⁺¹¹¹ _{-.035} | 13.50 | 2.00 | 1.00 | 28,000 LB. | 11'-0" | 15'-0" | | 0.854 |
| AC22P-03X-013 | 3"NPS 80/EH | 3.500 ±.035 | 2.90 ⁺¹¹¹ _{-.035} | 16.50 | 2.00 | 1.00 | 52,000 LB. | 5'-0" | 11'-0" | | 0.854 |
| AC22P-04X-013 | 4"NPS 80/EH | 4.500 ±.045 | 3.83 ⁺¹²⁹ _{-.045} | 18.00 | 2.00 | 1.00 | 52,000 LB. | 12'-0" | 17'-0" | | 1.248 |
| AC22P-05X-013 | 5"NPS 80/EH | 5.563 ±.056 | 4.81 ⁺²⁰⁵ _{-.056} | 19.50 | 2.00 | 1.00 | 52,000 LB. | 20'-0" | 27'-0" | | 1.732 |
| AC22P-06X-013 | 6"NPS 80/EH | 6.625 ±.066 | 5.76 ⁺¹⁷⁴ _{-.066} | 20.50 | 2.00 | 1.00 | 52,000 LB. | 27'-0" | 35'-0" | | 2.381 |
| AC22P-04X-025 | 4"NPS 80/EH | 4.500 ±.045 | 3.83 ⁺¹²⁹ _{-.045} | 25.94 | 2.00 | 1.00 | 100,000 LB. | | 11'-0" | | 1.248 |
| AC22P-05X-025 | 5"NPS 80/EH | 5.563 ±.056 | 4.81 ⁺²⁰⁵ _{-.056} | 26.94 | 2.00 | 1.00 | 100,000 LB. | 8'-0" | 18'-0" | | 1.732 |
| AC22P-06X-025 | 6"NPS 80/EH | 6.625 ±.066 | 5.76 ⁺¹⁷⁴ _{-.066} | 28.85 | 2.00 | 1.00 | 100,000 LB. | 18'-0" | 26'-0" | | 2.381 |
| AC22P-08X-025 | 8"NPS 80/EH | 8.625 ±.086 | 7.63 ⁺²¹² _{-.086} | 30.86 | 2.00 | 1.00 | 100,000 LB. | 31'-6" | 42'-0" | | 3.616 |
| AC22P-06X-045 | 6"NPS 80/EH | 6.625 ±.066 | 5.76 ⁺¹⁷⁴ _{-.066} | 29.50 | 2.00 | 1.00 | 180,000 LB. | | 16'-0" | | 2.381 |
| AC22P-08X-045 | 8"NPS 80/EH | 8.625 ±.086 | 7.63 ⁺²¹² _{-.086} | 34.72 | 2.00 | 1.00 | 180,000 LB. | 18'-0" | 31'-0" | | 3.616 |
| AC22P-10X-045 | 10"NPS 60/EH | 10.75 ±.108 | 9.75 ⁺²³⁴ _{-.108} | 37.00 | 2.00 | 1.00 | 180,000 LB. | 31'-0" | 41'-6" | | 4.562 |
| AC22P-10X-065 | 10"NPS 60/EH | 10.75 ±.108 | 9.75 ⁺²³⁴ _{-.108} | 42.40 | 2.00 | 1.00 | 260,000 LB. | 18'-0" | 36'-0" | | 4.562 |
| AC22P-12X-065 | 12"NPS EH | 12.75 ±.128 | 11.75 ⁺²⁵⁴ _{-.128} | 45.50 | 4.00 | 1.56 | 260,000 LB. | 30'-0" | 47'-0" | | 6.097 |
| AC22P-14X-085 | 14"NPS EH | 14.00 ±.140 | 13.00 ⁺²⁶⁵ _{-.140} | 41.50 | 4.00 | 1.56 | 340,000 LB. | | 45'-0" | | 7.058 |
| AC22P-26X-250 | 26" EH | 26.00 ±.260 | 25.00 ⁺³⁸⁵ _{-.260} | 50.00 | 6.00 | 2.00 | 1,000,000 LB. | | 66'-0" | | 11.350 |
| AC22P-32X-552 | 32" EH | 32.00 ±.320 | 31.00 ⁺⁴⁴⁵ _{-.320} | 70.50 | 7.00 | 2.00 | 2,208,000 LB. | | 66'-0" | 79'-0" | 14.017 |

NOTE:

- MATERIAL FOR ALL EXCEPT "L" LOW TEMP ARCTIC PARTS. (NOTE 5) ASTM A500 GR B STEEL AS STANDARD BUT MAY BE SUBSTITUTED WITH ASTM A53 GR B STEEL PIPE OR ANY STRUCTURAL PIPE RATED AT 35,000 PSI OR GREATER, PAINTED SAFETY YELLOW. FOR "L" PARTS ARCTIC LOW TEMP PARTS USE ASTM A333/333M GRADE 6 OR 7 STEEL WITH CERTIFIED CHARPY AT -50|DEGF. PAINTED SAFETY YELLOW WITH LOW TEMPERATURE PAINT.
- MARKING (TANDEMLOC SUPPLIED PIPES) SERIAL NO.(IF PROOF TESTED)- METAL STAMP IN DESIGNATED LOCATION. VINYL DECAL- 2 SIDE, 3" RED;" NPS** ON AC25L LABEL AS NOTED. AND TANDEMLOC LOGO (RED) OR CUSTOMER LOGO IF SPEC. ** FROM CHART W/ ENGINEERING APPROVAL
- THE HOLES THAT ARE DRILLED ON EACH END MUST BE ON THE SAME PLANE, WITHIN 1° DEGREE. HOLES ARE TO BE ALIGNED FOR THE MATING END EYE CAP HOLES AND ALLOW PASSAGE OF THE SAFETY PIN. HOLES SHOULD NOT BE THRU SEAMS IN THE PIPE WHICH CAN CAUSE INTERFERENCE. (ALSO SEE NOTE 6.)
- CERTIFICATION NOTE: TANDEMLOC SUPPLIED SPREADER PIPES ARE CERTIFIED TO THE MATERIAL SPECIFICATION & TEST REPORT RECEIVED FROM THE PIPE PRODUCER AND FOR THE WORK LOAD LIMIT NOTED IN THE ADJACENT CHART WHEN USED WITH SUITABLY STRONG END CAPS AND CONFORMING TO THE LIFT ANGLES NOTED ON THIS DRAWING AND THE END CAPS.THE PIPE MATERIAL TEST REPORTS ARE AVAILABLE UPON REQUEST. PROOF LOADING & CERTS FOR PROOF TESTING IS AVAILABLE UPON REQUEST ONLY.
- USE TEMPERATURE IS 180°F TO 25°F (PER ASME B31.3) FOR STANDARD PART NUMBERS. FOR ARCTIC COLD TO -50°F SPECIFY PART NO. FROM CHART WITH THE SUFFIX "L";, EXAMPLE- AC22P-030EH-013L.
- IN SOME CASES, EARLIER MODELS OF PIPE CAPS HAD PIN HOLES IN DIFFERENT LOCATIONS THAN ON LATER MODELS. A SECOND SET OF PIN HOLES MAY BE DRILLED ROTATED 90° FROM THE OTHER SET OF HOLES. PIPES CAN THEN BE USED WITH BOTH EARLIER AND LATER END CAPS WITHOUT AFFECTING THE STRENGTH RATINGS.

To avoid lifter failure, potential death and property damage, never exceed WLL (Working Load Limit).

This document contains the proprietary information of Tandemloc, Inc. and your access and use shall be, and is at all times, pursuant to and limited by the Tandemloc, Inc. Terms of Use.

You shall not, and shall not encourage, assist, or authorize another party to copy, distribute, publicly display, modify, reverse engineer, decompile, or take any other action to reproduce this document or the information contained herein. © Copyright 2014 by Tandemloc, Inc.

Dimensions are subject to manufacturing tolerance and change.



Email: info@tandemloc.com • www.tandemloc.com

824 Highway 101 • Havelock, NC 28532

Tel: 1.800.258.7324 (252.447.7155)

FAX 1.800.892.3273 (252.447.5502)

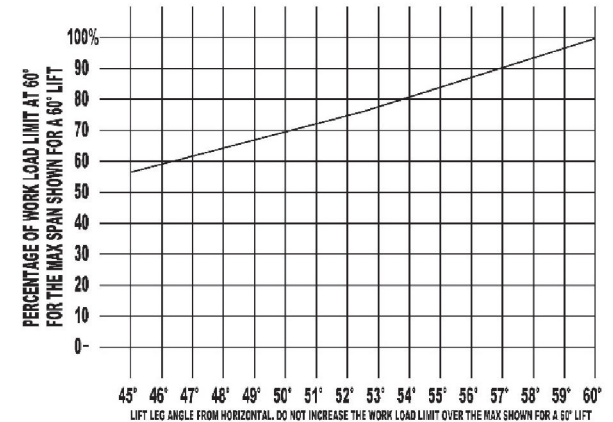
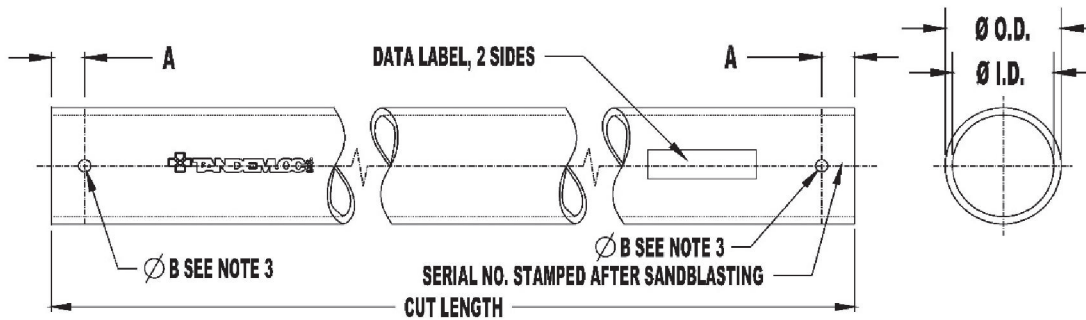
Tandemloc, Inc. designs, manufactures and tests lifting, securing and mobilizing components for all industries. See our website for details and important safety information.

Read all safety labels and instructions prior to use. Product to be used by qualified personnel only.

STANDARD SPREADER PIPE FOR USE WITH AC25C END CAPS, (AC22P)

Cage Code: 65059 | Drawing No: AC22P | Revision: U | Sheet: 2 of 2

UNLESS OTHERWISE SPECIFIED, DIMENSIONS ARE IN INCHES



METHOD OF ORDERING PIPE (SEE NOTES 1 & 5):

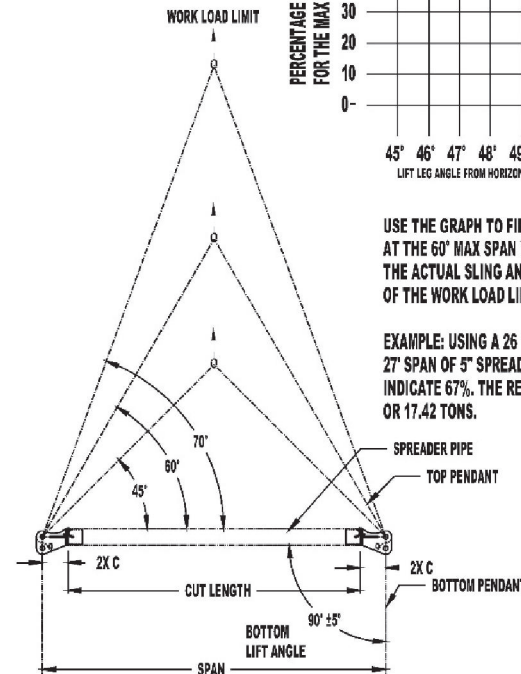
ORDERING EACH FINISHED SPREADER PIPE REQUIRES AN ORDER NUMBER WHICH DEFINES THE ACTUAL CUT LENGTH OF EACH SPREADER PIPE AS THE QUANTITY IN INCHES.

AN EXAMPLE FOR STANDARD STEEL FOLLOWS:

115" AC22P-03X-013 PIPE, 3"NPS/80/EH COMPONENTS, LENGTH BASED

AN EXAMPLE FOR ARCTIC STEEL FOLLOWS:

115" AC22P-03X-013L PIPE, ARTIC 3"NPS/80/EH COMPONENTS, LENGTH BASED



USE THE GRAPH TO FIND THE PERCENTAGE OF THE MAX WORK LOAD AT THE 60° MAX SPAN WHEN SLING ANGLES LESS THAN 60°. TRACK THE ACTUAL SLING ANGLE HORIZONTALLY LEFT TO THE PERCENTAGE OF THE WORK LOAD LIMIT THAT APPLIES.

EXAMPLE: USING A 26 T MAX.WORK BASED ON A 60° SLING AND A 27' SPAN OF 3" SPREADER PIPE, A SUITABLE 50' SLING WOULD INDICATE 67%. THE RESULTANT WORK LOAD LIMIT IS 26 T X .67 OR 17.42 TONS.

To avoid lifter failure, potential death and property damage, never exceed WLL (Working Load Limit).

This document contains the proprietary information of Tandemloc, Inc. and your access and use shall be, and is at all times, pursuant to and limited by the Tandemloc, Inc. Terms of Use.

You shall not, and shall not encourage, assist, or authorize another party to copy, distribute, publicly display, modify, reverse engineer, decompile, or take any other action to reproduce this document or the information contained herein. © Copyright 2014 by Tandemloc, Inc.

Dimensions are subject to manufacturing tolerance and change.



Email: info@tandemloc.com • www.tandemloc.com

824 Highway 101 • Havelock, NC 28532

Tel: 1.800.258.7324 (252.447.7155)

FAX 1.800.892.3273 (252.447.5502)

Tandemloc, Inc. designs, manufactures and tests lifting, securing and mobilizing components for all industries. See our website for details and important safety information.

Read all safety labels and instructions prior to use. Product to be used by qualified personnel only.