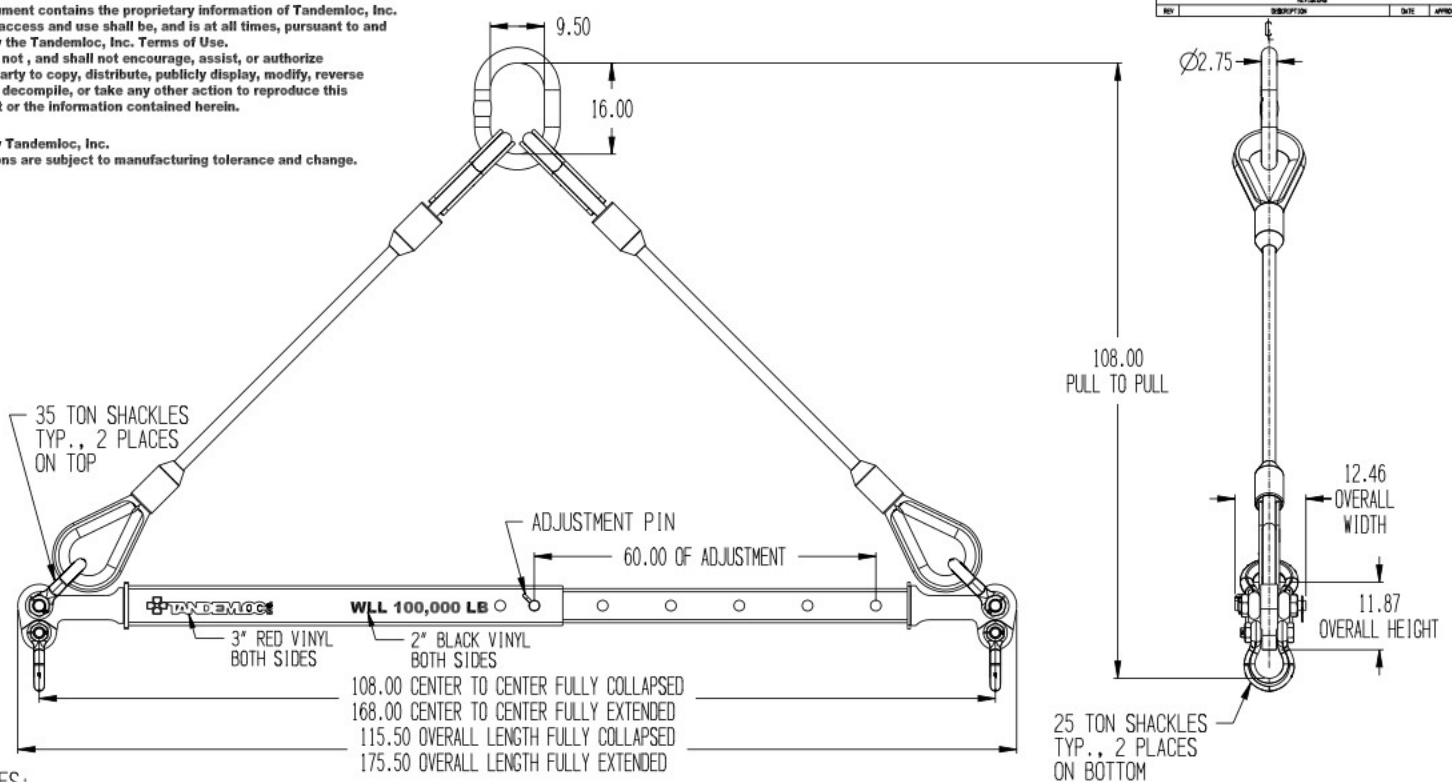


This document contains the proprietary information of Tandemloc, Inc. and your access and use shall be, and is at all times, pursuant to and limited by the Tandemloc, Inc. Terms of Use. You shall not, and shall not encourage, assist, or authorize another party to copy, distribute, publicly display, modify, reverse engineer, decompile, or take any other action to reproduce this document or the information contained herein.

©2019 by Tandemloc, Inc.
Dimensions are subject to manufacturing tolerance and change.



- NOTES:
- PART NO.: AT14A100-168-PA, 108"-168" TELESCOPIC SPREADER
AT14A100-168SPA, 108"-168" TELESCOPIC SPREADER WITH TOP SLING
AT14A100-168WPA, 108"-168" TELESCOPIC SPREADER WITHOUT SLING OR SHACKLES
 - WLL: 100,000 LB. @ 45° MINIMUM
 - PROOF TESTED TO 125% (125,000 LB.) AND CERTIFIED
 - STANDARD SPECIFICATION # EAD21000A APPLIES
 - FINISH: SANDBLAST AND PRIME AND PAINT YELLOW
 - CALCULATED WEIGHT: 780 LB. SPREADER W/ SLING; 1,317 LB. NO SHACKLES: 602 LB.
 - DESIGNED AND MANUFACTURED TO MEET OR EXCEED ASME B30.20 AND BTH-1, DESIGN CATEGORY B, SERVICE CLASS 0.

** DO NOT SIGN IF CHANGES ARE REQUIRED **
CUSTOMER APPROVAL: _____
DATE: _____

<small>1/16" DIMENSIONS APPLICABLE UNLESS OTHERWISE NOTED. DIMENSIONS ARE IN INCHES & TOLERANCES ARE: - XX ±.05, XXXX ±.003, .XXX ±.01</small>	<small>1" DIMENSIONS APPLICABLE UNLESS MAX. CLOSING TH. IS: 0 TO 4" ±.03, 4.01" TO 7" ±.037, 7.01" TO 10.5" ±.062, OVER 10.5" ±.082</small>		
		<small>THIS DOCUMENT CONTAINS DATA WHICH IS THE PROPERTY OF TANDEMLOC, INC. NO PART OF THIS DOCUMENT IS TO BE REPRODUCED, STORED IN A RETRIEVAL SYSTEM, OR TRANSMITTED IN ANY FORM OR BY ANY MEANS, ELECTRONIC OR MECHANICAL, INCLUDING PHOTOCOPYING, RECORDING, OR BY ANY INFORMATION STORAGE AND RETRIEVAL SYSTEM, WITHOUT THE WRITTEN PERMISSION OF TANDEMLOC, INC. OR EXPRESSLY PERMITTED THEREIN.</small>	<small>APPROVALS</small> <small>DATE</small>
<small>DATE</small> 03-28-19	<small>REV</small> D	<small>QTY</small> 65059	<small>REV. NO.</small> SAT14A100-168-PA-1
<small>SCALE</small>	<small>DRW. NO.</small>	<small>REV. NO.</small>	<small>SHEET 1 OF 1</small>