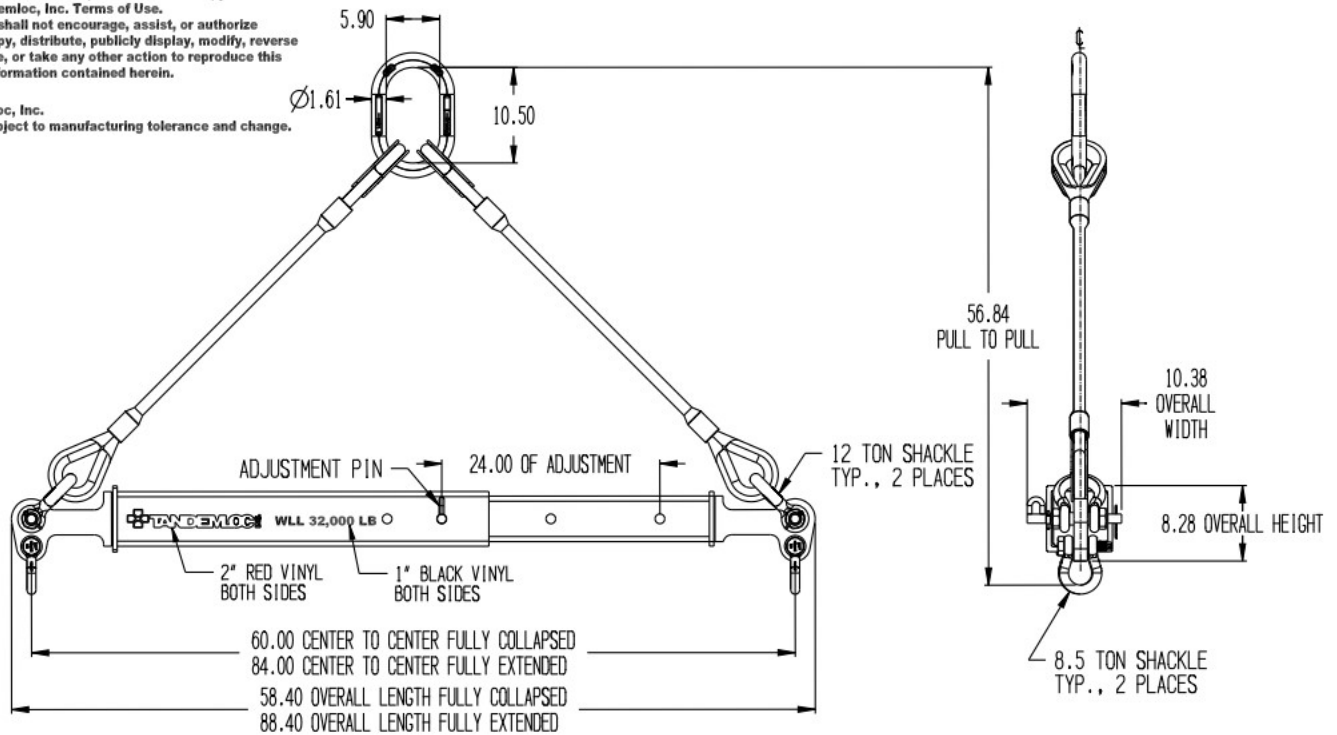


This document contains the proprietary information of Tandemloc, Inc. and your access and use shall be, and is at all times, pursuant to and limited by the Tandemloc, Inc. Terms of Use. You shall not, and shall not encourage, assist, or authorize another party to copy, distribute, publicly display, modify, reverse engineer, decompile, or take any other action to reproduce this document or the information contained herein.

©2019 by Tandemloc, Inc.
Dimensions are subject to manufacturing tolerance and change.



NOTES:

- PART NO.: AT14A032-084-PA, 60"-84" TELESCOPIC SPREADER
AT14A032-084SPA, 60"-84" TELESCOPIC SPREADER WITH TOP SLING
- WLL: 32,000 LB. @ 45° MINIMUM
- PROOF TESTED TO 125% (40,000 LB.) AND CERTIFIED
- STANDARD SPECIFICATION # EAD21000A APPLIES
- FINISH: SANDBLAST AND PRIME AND PAINT YELLOW
- CALCULATED WEIGHT: 257 LB. SPREADER WITH SLING: 330 LB.
- DESIGNED AND MANUFACTURED TO MEET OR EXCEED ASME B30.20 AND BTH-1, DESIGN CATEGORY B, SERVICE CLASS 0.

** DO NOT SIGN IF CHANGES ARE REQUIRED **

CUSTOMER APPROVAL: _____

DATE: _____

<small>1/2" THICK AVAILABLE DIM UNLESS OTHERWISE NOTED DIMENSIONS ARE IN INCHES & TOLERANCES ARE: .XX ±.03 .XX ±.05 .XX ±.03</small>		<small>1" THICK AVAILABLE DIM UNLESS OTHERWISE NOTED DIMENSIONS ARE IN INCHES & TOLERANCES ARE: 0 TO 4" ±.02, 4.00" TO 7" ±.03 7.00" TO 30.0" ±.04 OVER 30.0" ±.05</small>			
<small>THIS DRAWING SPECIFICS THIS DESIGN UNLESS INDICATED OTHERWISE. IT IS THE PROPERTY OF TANDEMLOC, INC. AND IS NOT TO BE REPRODUCED OR TRANSMITTED IN ANY FORM OR BY ANY MEANS, ELECTRONIC OR MECHANICAL, INCLUDING PHOTOCOPYING, RECORDING, OR BY ANY INFORMATION STORAGE AND RETRIEVAL SYSTEM, WITHOUT THE WRITTEN PERMISSION OF TANDEMLOC, INC.</small>				TITLE: AT14A032-084-PA 60"-84" TELESCOPIC SPREADER	
APPROVALS DESIGN: JRL DATE: 12-3-18	DATE: 11-30-18	PART NO.: D 65059	REV. NO.: SAT14A032-084-PA-1	SHEET: 1 OF 1	DRAWN BY: