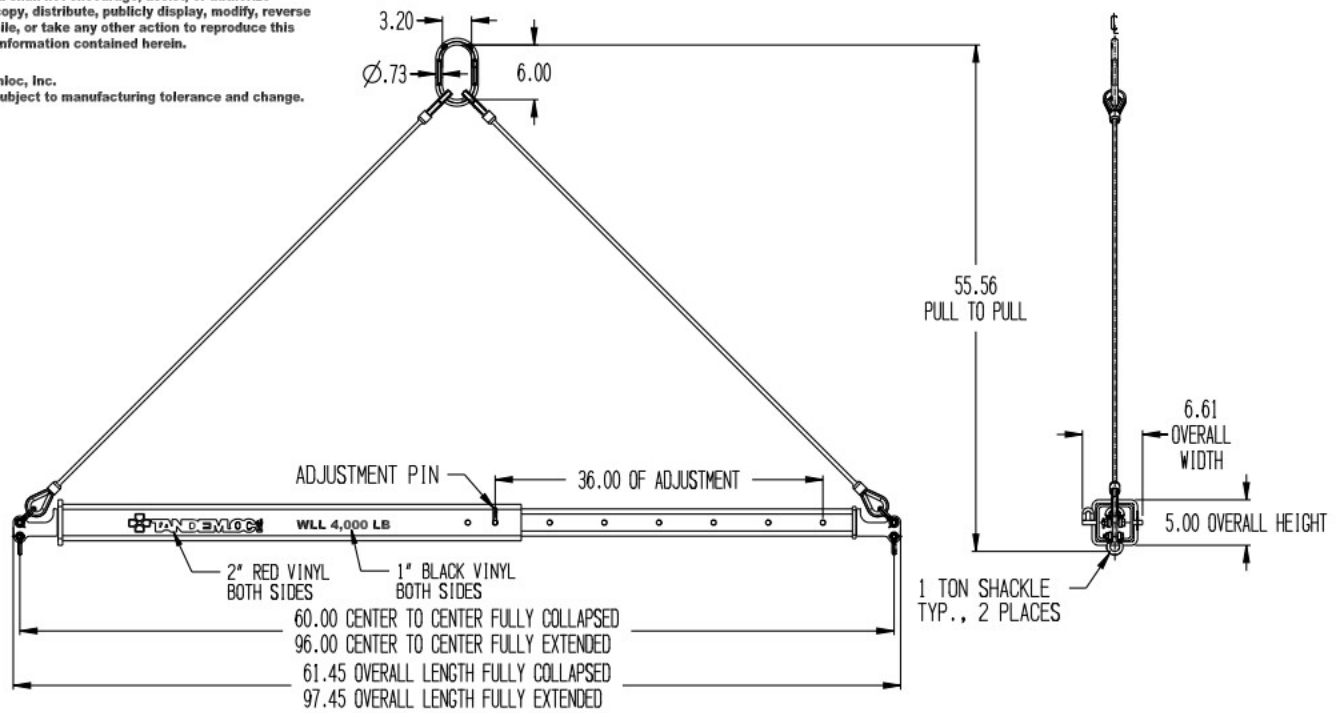


This document contains the proprietary information of Tandemloc, Inc. and your access and use shall be, and is at all times, pursuant to and limited by the Tandemloc, Inc. Terms of Use. You shall not, and shall not encourage, assist, or authorize another party to copy, distribute, publicly display, modify, reverse engineer, decompile, or take any other action to reproduce this document or the information contained herein.

©2019 by Tandemloc, Inc.
Dimensions are subject to manufacturing tolerance and change.



55.56
PULL TO PULL

6.61
OVERALL
WIDTH

5.00
OVERALL
HEIGHT

1 TON SHACKLE
TYP., 2 PLACES

- NOTES:
- PART NO.: AT14A004-096-PA, 60"-96" TELESCOPIC SPREADER
AT14A004-096SPA, 60"-96" TELESCOPIC SPREADER WITH TOP SLING
 - WLL: 4,000 LB. @ 45° MINIMUM
 - PROOF TESTED TO 125% (5,000 LB.) AND CERTIFIED
 - STANDARD SPECIFICATION # EAD21000A APPLIES
 - FINISH: SANDBLAST AND PRIME AND PAINT YELLOW
 - CALCULATED WEIGHT: 137 LB. SPREADER WITH SLING: 147 LB.
 - DESIGNED AND MANUFACTURED TO MEET OR EXCEED
ASME B30.20 AND BTH-1, DESIGN CATEGORY B, SERVICE CLASS 0.

** DO NOT SIGN IF CHANGES ARE REQUIRED **
CUSTOMER APPROVAL: _____
DATE: _____

<small>1 1/2" DIMENSIONS APPLICABLE UNLESS OTHERWISE NOTED. DIMENSIONS ARE IN INCHES & TOLERANCES ARE: - XX ±.05, XXXX ±.005, XXX ±.01</small>	<small>1 1/2" DIMENSIONS APPLICABLE UNLESS MAX. CLOSING TOL. IS: 0 TO 4" ±.03, 4.01" TO 7" ±.04, 7.01" TO 16.5" ±.05, OVER 16.5" ±.0625</small>	
<small>THIS DOCUMENT CONTAINS ONLY THE INFORMATION OF THE PRODUCT. IT DOES NOT INCLUDE THE DESIGN OR MANUFACTURING INFORMATION OF TANDEMLOC, INC. OR ANY OTHER INFORMATION. THE DESIGN OR MANUFACTURING INFORMATION OF TANDEMLOC, INC. IS PROPRIETARY INFORMATION.</small>	<small>APPROVALS</small> <small>DATE</small> <small>01-07-19</small>	
<small>TITLE</small> AT14A004-096-PA 60"-96" TELESCOPIC SPREADER		
<small>REV</small> D	<small>DATE CHG</small> 6/5/19	<small>REV</small> SAT14A004-096-PA - SHEET 1 OF 1