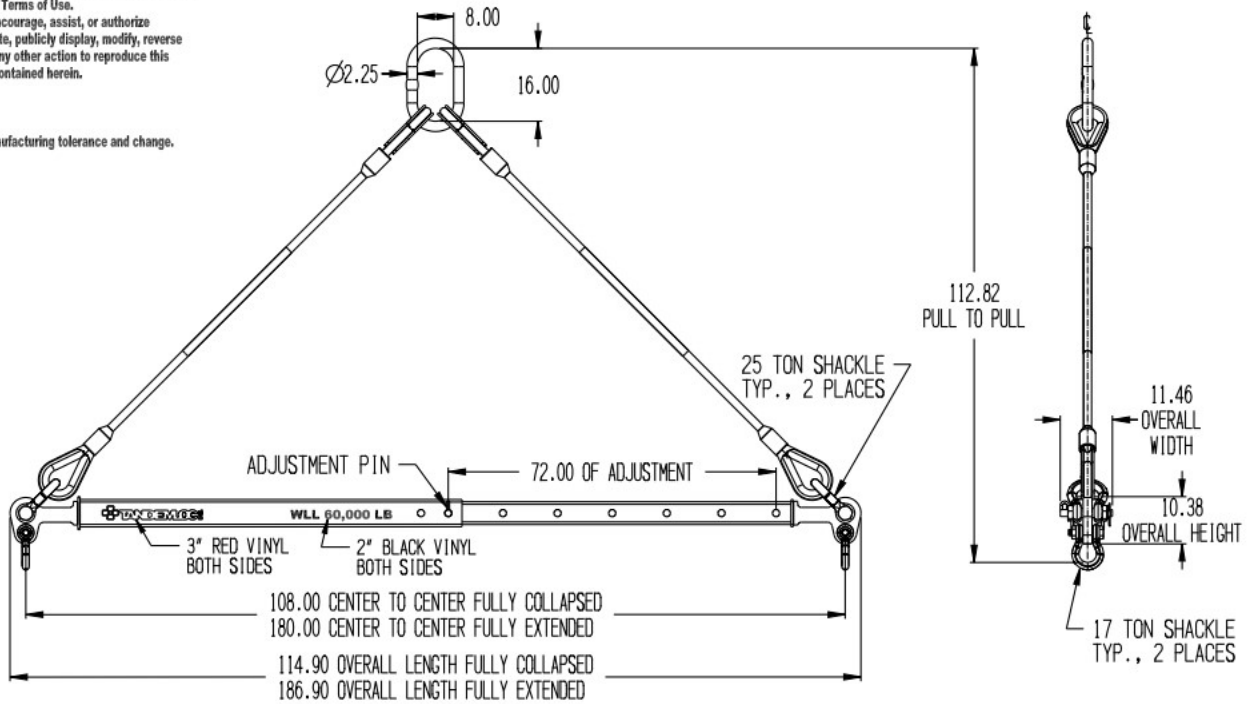


This document contains the proprietary information of Tandemloc, Inc. and your access and use shall be, and is at all times, pursuant to and limited by the Tandemloc, Inc. Terms of Use. You shall not, and shall not encourage, assist, or authorize another party to copy, distribute, publicly display, modify, reverse engineer, decompile, or take any other action to reproduce this document or the information contained herein.

©2019 by Tandemloc, Inc.

Dimensions are subject to manufacturing tolerance and change.



NOTES:

- PART NO.: AT14A060-180-PA, 108"-180" TELESCOPIC SPREADER  
 AT14A060-180SPA, 108"-180" TELESCOPIC SPREADER WITH TOP SLING  
 AT14A060-180WPA, 108"-180" TELESCOPIC SPREADER WITHOUT SHACKLES
- WLL: 60,000 LB. @ 45° MINIMUM
- PROOF TESTED TO 125% (75,000 LB.) AND CERTIFIED
- STANDARD SPECIFICATION # EAD21000A APPLIES
- FINISH: SANDBLAST AND PRIME AND PAINT YELLOW
- CALCULATED WEIGHT: 563 LB. SPREADER WITH SLING; 948 LB. WITHOUT SHACKLES; 455 LB.
- DESIGNED AND MANUFACTURED TO MEET OR EXCEED  
 ASME B30.20 AND BTH-1, DESIGN CATEGORY B, SERVICE CLASS 0.

\*\* DO NOT SIGN IF CHANGES ARE REQUIRED \*\*

CUSTOMER APPROVAL: \_\_\_\_\_

DATE: \_\_\_\_\_

<small>1/4" DIMENSIONS UNLESS OTHERWISE NOTED. DIMENSIONS ARE IN INCHES &amp; TOLERANCES ARE:          .XX ±.01 .XXX ±.005 .XXX ±.01</small>		<small>1" DIMENSIONS UNLESS OTHERWISE NOTED. DIMENSIONS ARE IN INCHES &amp; TOLERANCES ARE:          0 TO 4" ±.01 4.01" TO 7" ±.02 7.01" TO 10.0" ±.04 OVER 10.0" ±.06</small>			
<small>THIS DOCUMENT CONTAINS PROPRIETARY INFORMATION OF TANDEMLOC, INC. ANY REPRODUCTION OR DISTRIBUTION OF THIS DOCUMENT WITHOUT THE WRITTEN PERMISSION OF TANDEMLOC, INC. IS EXPRESSLY PROHIBITED.</small>				<b>AT14A060-180-PA 108"-180" TELESCOPIC SPREADER</b>	
APPROVALS	DATE	REV	DATE	REV	DATE
DESIGNER	02-26-19	D	65059	SAT14A060-180-PA	1