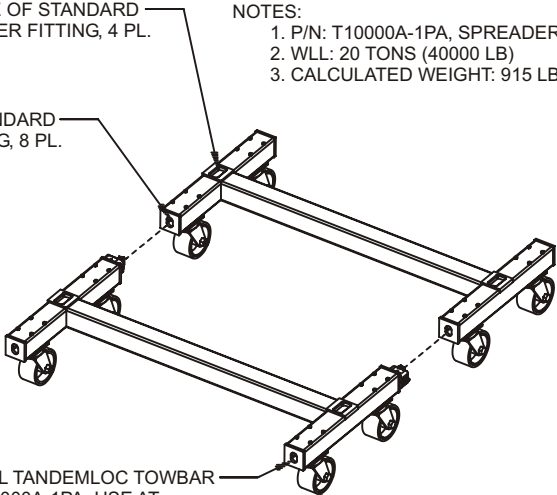
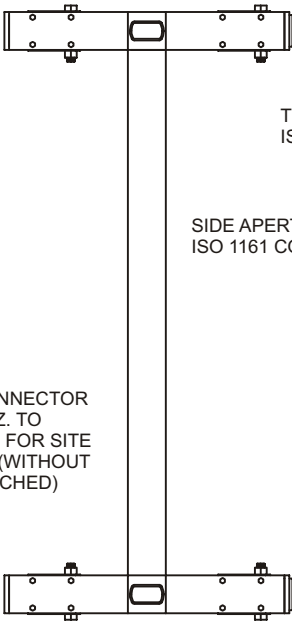
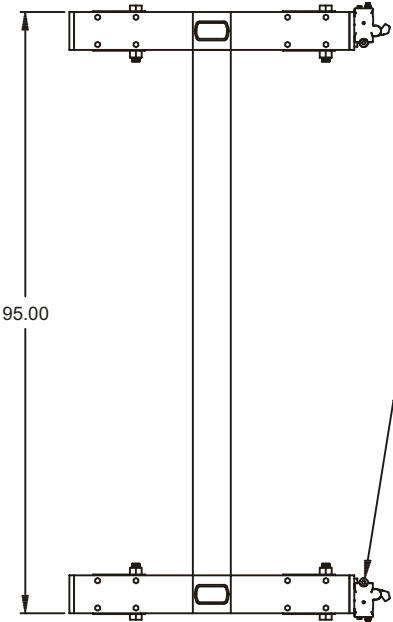


SPREADER CART (T10000A-1PA)

Cage Code: 65059 | Drawing No: ST10000A | Revision: A | Sheet: 1 of 1

UNLESS OTHERWISE SPECIFIED, DIMENSIONS ARE IN INCHES
DO NOT SCALE DRAWING



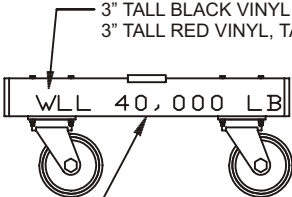
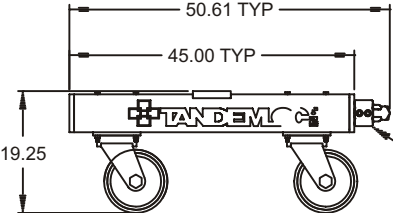
- NOTES:
1. P/N: T10000A-1PA, SPREADER CART
 2. WLL: 20 TONS (40000 LB)
 3. CALCULATED WEIGHT: 915 LB (TOTAL ASSEMBLY)

TOP APERTURE OF STANDARD ISO 1161 CORNER FITTING, 4 PL.

SIDE APERTURE OF STANDARD ISO 1161 CORNER FITTING, 8 PL.

TANDEMLOC CONNECTOR
P/N: 12900BA-1PZ. TO
CONNECT UNITS FOR SITE
TO TRANSPORT (WITHOUT
SPREADER ATTACHED)

OPTIONAL TANDEMLOC TOWBAR
P/N: AB42000A-1PA. USE AT
EITHER END TO TOW UNIT



10 DIA X 5" WIDE 360° URETHANE ON IRON SWIVEL CASTERS, 5000 LB CAPACITY EACH, WITH 4 POSITION SWIVEL LOCK. OTHER CASTER TYPES AVAILABLE.

INTERCHANGEABLE CART UNITS (AND REVERSABLE). SIMPLY SET AT APPROPRIATE LENGTH AND LOWER SPREADER BAYONETS INTO THE TOP APERTURES. BAYONETS MAY BE LOCKED, OR LEFT UNLOCKED.

REVISIONS		DATE	APPROVED
REV	DESCRIPTION		
A	REMOVED TOW BAR, TOW BAR IS NOW OPTIONAL	12/1/04	MRD

To avoid lifter failure, potential death and property damage, never exceed WLL (Working Load Limit)

This document contains the proprietary information of Tandemloc, Inc. and your access and use shall be, and is at all times, pursuant to and limited by the Tandemloc, Inc. Terms of Use. You shall not, and shall not encourage, assist, or authorize another party to copy, distribute, publically display, modify, reverse engineer, decompile, or take any other action to reproduce or replicate this document or the information contained herein. © Copyright 2012 by Tandemloc, Inc. Dimensions are subject to manufacturing tolerance and change.



Email: info@tandemloc.com • www.tandemloc.com
824 Highway 101 • Havelock, NC 28532
TEL: 1.800.258.7324 (252.447.7155)
FAX: 1.800.892.3273 (252.447.5502)

Tandemloc designs, manufactures and tests lifting, securing and mobilizing components for all industries. See our website for details and important safety information.
Read all safety labels and instructions prior to use. Product to be used by qualified personnel only.