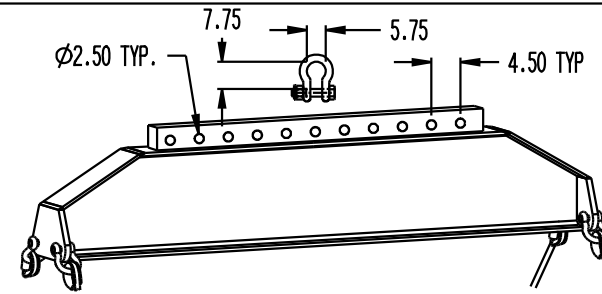
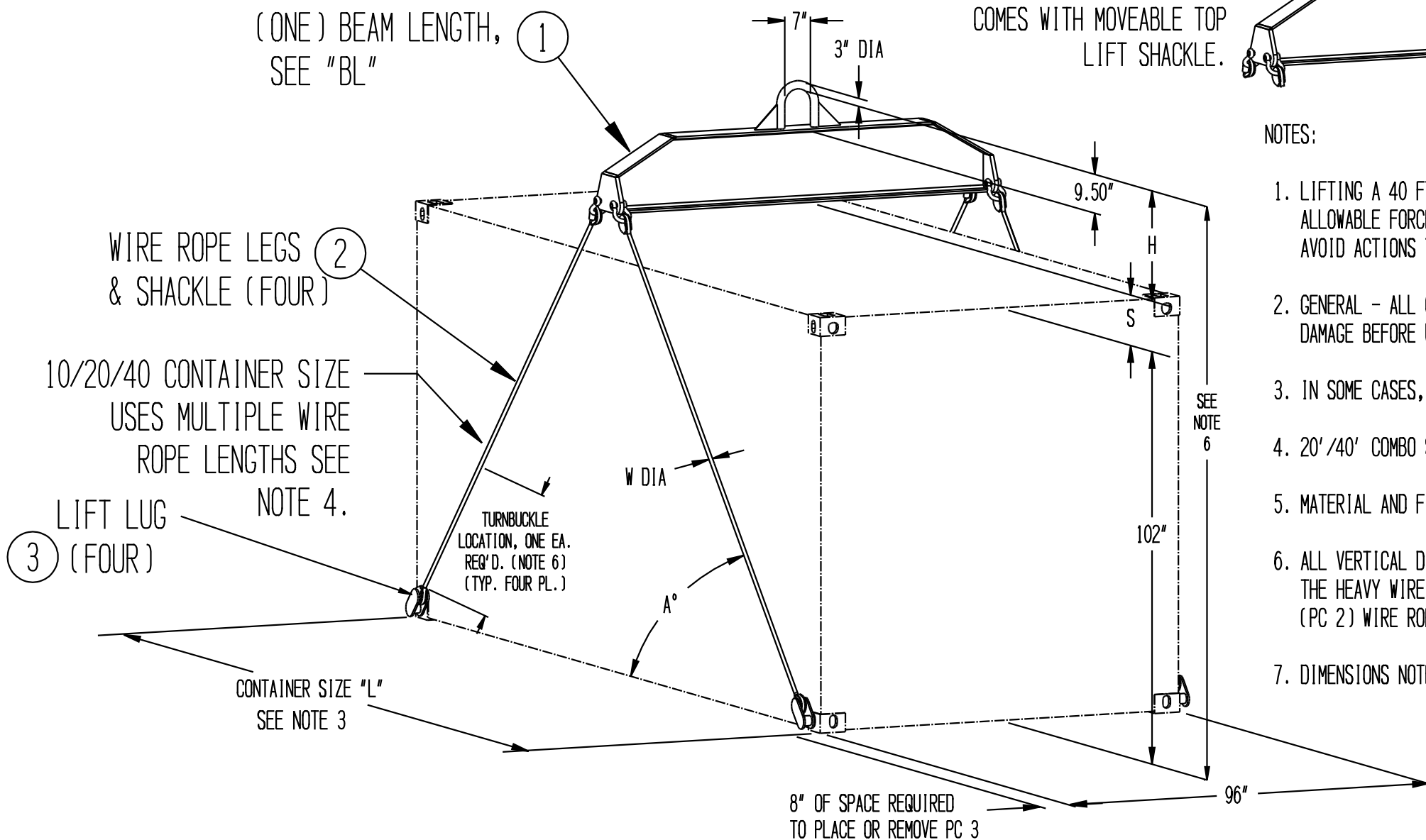


AB68010A-1PA
SINGLE POINT LIFT BEAM
(ONE) BEAM LENGTH,
SEE "BL"

Q2505AA-2PA
MULTI POINTS LIFT BEAM
COMES WITH MOVEABLE TOP
LIFT SHACKLE.



REV		DESCRIPTION	DATE	APPROVED
A		ADDED MULTI LIFT BEAM ASSEMBLY DATA	07-21-03	MD
B		ADDED AB68000A-2SPA	10-03-05	MD
C		SEE EDD 07-015	04-12-07	ML
D		SEE EDD 07-017	04-20-07	ML
E		ADDED AB68000A-5PA	05-17-22	DAH
F		416000C-LSTZW WAS 416000B-1PA	05-15-23	DAH



NOTES:

- LIFTING A 40 FT. ISO FREIGHT CONTAINER WITH A 30° ANGLE (FROM HORIZONTAL) SLING PUTS THE HIGHEST ALLOWABLE FORCES ON THE CONTAINER AND CORNER FITTINGS. BECAUSE OF THIS THE SAF. FAC. IS 4:1 TO ULT. AVOID ACTIONS THAT WILL MULTIPLY THESE FORCES TO ANY DEGREE AND TAKE SPECIAL NOTE OF NOTE 2 BELOW.
- GENERAL - ALL CONTAINERS, CORNER FITTINGS, AND SLING EQUIPMENT SHALL BE INSPECTED FOR FLAWS AND DAMAGE BEFORE USE. ONLY EQUIPMENT IN GOOD CONDITION SHALL BE LIFTED.
- IN SOME CASES, I.S.O. CONTAINER MEASURED LENGTHS DIFFER FROM SIZE "L". REF. I.S.O. STD. 668.
- 20' /40' COMBO SLINGS HAVE SHORT WIRE ROPE LEGS FOR A 20' LIFT & FOUR WIRE ROPE EXTENSIONS FOR A 40' LIFT.
- MATERIAL AND FINISH: PC1 - STEEL, PAINTED. PC2 - STEEL, BRIGHT. PC3 - STEEL, PAINTED.
- ALL VERTICAL DIMENSIONS ARE SUBJECT TO SIGNIFICANT VARIATION DUE TO THE ACCUMULATION OF TOLERANCES FOR THE HEAVY WIRE ROPE LENGTHS. IF THE VERTICAL DIMENSION IS IMPORTANT IN YOUR APPLICATION, ASK FOR A -TOO (PC 2) WIRE ROPE, SHACKLE WITH ADJUSTING TURNBUCKLE FOR FINITE ADJUSTMENT.
- DIMENSIONS NOTED ARE FOR REFERENCE ONLY AND ARE SUBJECT TO MFG. TOLERANCE.

** WITH TURNBUCKLE ADJUSTMENT
*** 30° LIFT ANGLE IS THE MINIMUM USE ANGLE

	"L" CONTAINER SIZE	RATED WORK LOAD	ORDER NUMBER	"H" HEAD ROOM	"S" SLACK	TOTAL WEIGHT	"A" USE ANGLE	"W" WIRE ROPE DIA	COMPONENT PART NUMBERS			BEAM LG	SAFETY FACTOR TO ULTIMATE
									PC1 - LIFT BEAM	PC2 - WIRE ROPE LEGS & SHACKLE	PC3 - LIFT LUG		
SINGLE POINT LIFT	40'	67,200 LB.	AB68000A-1PA	33.42"	32.12"	1,228 LB.	30° ***	1.38"	AB68010A-1PA	AB68021A-100	416000C-LSTZW	102.5"	5:1
	20'	52,900 LB.	AB68000A-2PA	33.42"	14.06"	920 LB.	47°	1.00"	AB68010A-1PA	AB68022A-100	416000C-LSTZW	102.5"	5:1
	20'	52,900 LB.	AB68000A-2SPA	33.42"	14.06"	920 LB.	47°	1.00"	AB68010A-1PA	AB68022A-100	416000C-LSTZW	102.5"	5:1
	20' /40'	67,200 LB.	AB68000A-3PA	33.42"	14.06" /32.12"	1,288 LB.	47° /30° ***	1.38"	AB68010A-1PA	AB68023A-100	416000C-LSTZW	102.5"	5:1
	20'	67,200 LB.	AB68000A-4PA	33.42"	13.97"	1,150 LB.	47°	1.13"	AB68010A-1PA	AB68024A-100	416000C-LSTZW	102.5"	4:1
	20'	67,200 LB.	AB68000A-TPA	33.42"	0.00" -21.28" **	1,326 LB.	43° -48°	1.13"	AB68010A-1PA	AB68024A-T00 **	416000C-LSTZW	102.5"	4:1
	10'	67,200 LB.	AB68000A-5PA	33.42"	13.97"	1,135 LB.	64°	1.13"	AB68010A-1PA	AB68025A-100	416000C-LSTZW	102.5"	4:1
MULTI-POINTS LIFT	20' /40'	67,200 LB.	AB68000A-3MPA	27.57"	11.67" /28.50"	1,597 LB.	46° /30° ***	1.38"	Q2505AA-2PA	AB68023A-100	416000C-LSTZW	101.5"	4:1

APPROVALS		DATE
DRAWN	W.D.D.	05-15-02
CHECKED		
ENGR		
DESIGN ACTIVITY		

TANDEMOC
TITLE: LOW PROFILE SLING
BOTTOM LIFT I.S.O. TYPE CONTAINER SLING
HEAVY DUTY LIGHT-WEIGHT

SIZE D	CAGE CODE 65059	DMG NO. SAB68000A	REV. F
SCALE		DWG. NO. ACT. NO.	SHEET 1 OF 1