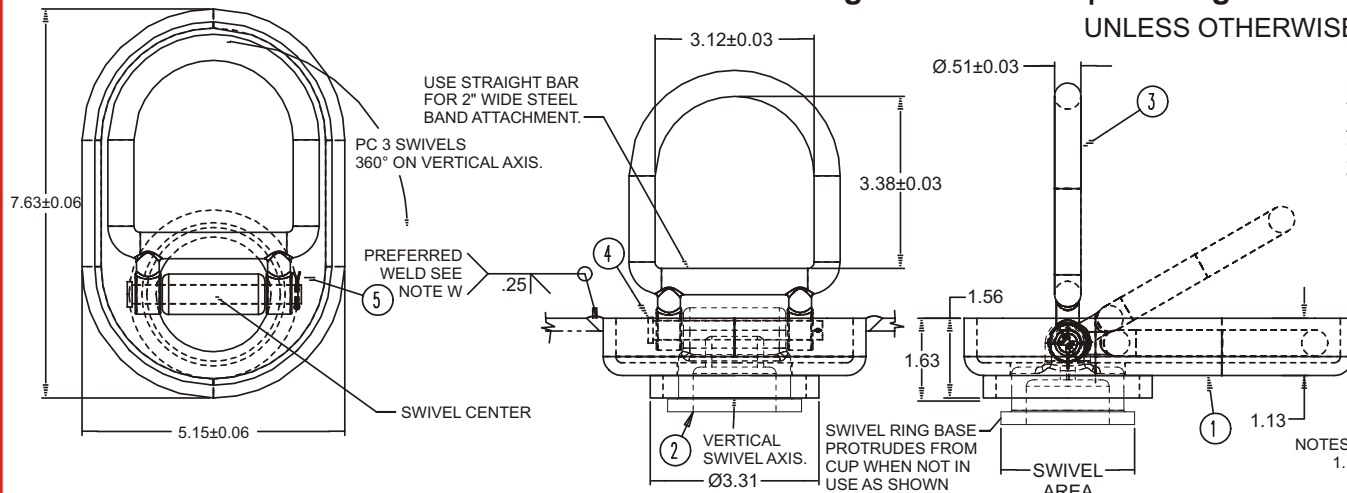


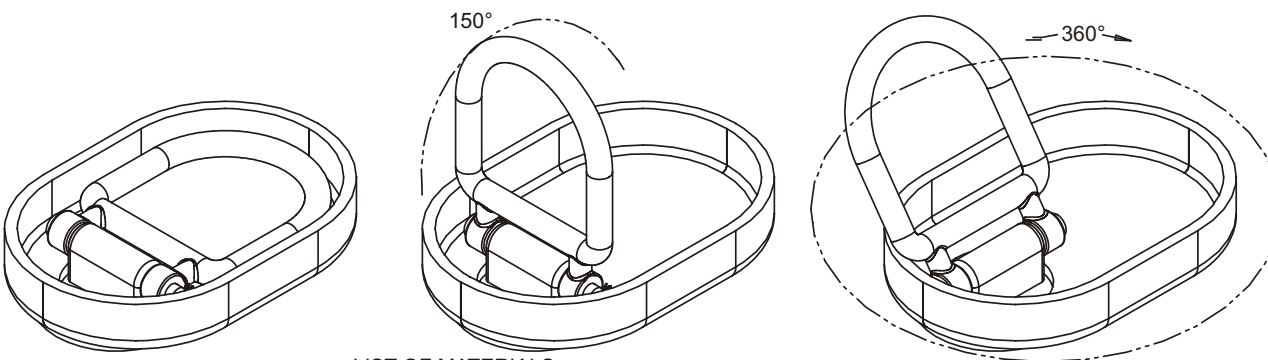
TIEDOWN, FLUSH MOUNTED (S3300ML TYPE)

Cage Code: 65059 | Drawing No: SS3300ML | Revision: F | Sheet: 1 of 1

UNLESS OTHERWISE SPECIFIED, DIMENSIONS ARE IN INCHES
DO NOT SCALE DRAWING



NOTE W. INSTALLATION WELD:
THE PC 1 SWIVEL BODY IS CAST ASTM A27, GR70-40 STEEL, A LOW CARBON READILY WELDABLE STEEL. INSTALLATION WELDS CAN BE MADE ON ANY PORTION OF THE VERTICAL SIDES WITH A CONTINUOUS 3/16 TO 1/4" FILLET OR BEVEL WELD AROUND THE ENTIRE BODY. THE WELD SYMBOL ABOVE IS PREFERRED.



- NOTES:
- PART NO:
S3300ML-100 TIEDOWN ASSEMBLY, SELF COLORED
S3300ML-C00 TIEDOWN KIT 1 SET OF LOOSE COMPONENTS ALL SELF COLORED. (NOTE 4 APPLIES)
S3300ML-C01 TIEDOWN KIT, 1 SET OF LOOSE COMPONENTS W/ SELF COLORED HOUSING & GALV/DACROKOTE COMPONENTS. (NOTE 4 APPLIES)
S3300ML-C02 TIEDOWN KIT, 1 SET OF LOOSE COMPONENTS W/ SELF-COLORED HOUSING & GALV/DACROKOTE COMPONENTS AND SPLIT SWIVEL RETAINER (NOTE 4 APPLIES)
WEIGHT 5.4 LB.
 - LOAD CAPACITY - 5,000 LB. (SINGLE, TENSION, WITHOUT YIELD)
SAFETY FACTOR TO ULTIMATE STRENGTH (7,500 LB.) IS 1.5 MIN.
 - TIEDOWN CONFORMS TO CLASS 4, MIL STD 209H & CARGO BED TIEDOWN PROVISION MIL STD 209J & 209K.
 - P/N S3300ML-C00, -C01 & -C02:
FOR EASE OF INSTALLATION, COMPONENTS ARE SHIPPED UNASSEMBLED. (S3300ML-100 IS SHIPPED ASSEMBLED.)
 - THIS TIEDOWN ROTATES 360° ABOUT ITS VERTICAL AXIS AND A MIN OF 150° ABOUT ITS HORIZONTAL AXIS. IT IS DESIGNED TO SWIVEL & SWING TO THE TENSION LOAD PLANE OF THE TIEDOWN WITHIN THOSE ANGLES.
 - ASSEMBLY: AFTER INSTALLING THE HOUSING (PC1), ASSEMBLE PC 2 THROUGH 5 INTO THE CONFIGURATION SHOWN ABOVE. (NOTE: TO INSERT PC 4 PINS, ROTATE PC 2 FOR PROPER CLEARANCE).
 - UNDERLINED DIMENSIONS ARE OUT OF SCALE.

LIST OF MATERIALS

2	-	-	-	1	S33002ML-2GB SWIV. RET., TWO HALVE SET, GALV., BL. DIMET.
4	-	-	1	1	S33004ML-3DL HINGE PIN, STEEL DACROMET/DACROKOTE BLACK
3	-	-	1	1	S33003ML-1GB TIEDOWN CLEVIS, GALV./BLACK DIMETCOTE
2	-	-	1	-	S33002ML-MGB SWIVEL RETAINER, MACH. GALV/BLACK DIMETCOTE
5	1	1	1	1	SCP0005XXX0075 COTTER PIN, 3/64, STAINLESS STEEL
4	1	1	-	-	S33012LD-1C0 HINGE PIN, STEEL, SELF COLORED
3	1	1	-	-	S33013ML-1C0 TIEDOWN CLEVIS, SELF COLORED
2	1	1	-	-	S33011LD-2C0 SWIVEL RETAINER, SELF COLORED
1	1	1	1	1	S33010ML-1C0 SWIVEL HOUSING, SELF COLORED
PC #	-100	-C00	-C01	-C02	PART # AND DESCRIPTION
	QTY	QTY	QTY	QTY	

REV	DESCRIPTION	REVISIONS	DATE	APP.
A	ADDED WIDTH DIMENSION		9/22/11	DAH
B	1.38 WAS 1.50, WEIGHT WAS 5.4 LB.		9/26/11	DAH
C	1.56 WAS 1.38, WEIGHT WAS 5.3 LB.		9/27/11	DAH
D	ADDED 3.31 AND 1.13 DIMENSIONS		9/27/11	DAH
E	CHANGED PC 2 SWIVEL RETAINER		11/21/13	DAH
F	ADDED "KIT" IN PART NO. DESCRIPTION		8/06/14	DAH

To avoid lifter failure, potential death and property damage, never exceed WLL (Working Load Limit)

This document contains the proprietary information of Tandemloc, Inc. and your access and use shall be, and is at all times, pursuant to and limited by the Tandemloc, Inc. Terms of Use.

You shall not, and shall not encourage, assist, or authorize another party to copy, distribute, publically display, modify, reverse engineer, decompile, or take any other action to reproduce or replicate this document or the information contained herein. © Copyright 2012 by Tandemloc, Inc.

Dimensions are subject to manufacturing tolerance and change.



Email: info@tandemloc.com • www.tandemloc.com
824 Highway 101 • Havelock, NC 28532
TEL: 1.800.258.7324 (252.447.7155)
FAX: 1.800.892.3273 (252.447.5502)

Tandemloc designs, manufactures and tests lifting, securing and mobilizing components for all industries. See our website for details and important safety information.

Read all safety labels and instructions prior to use. Product to be used by qualified personnel only.