

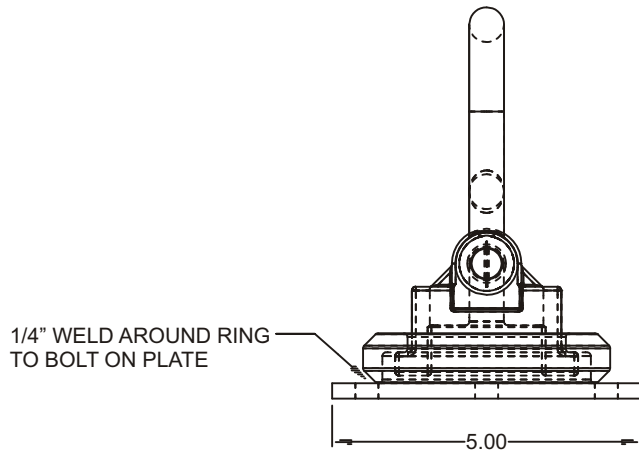
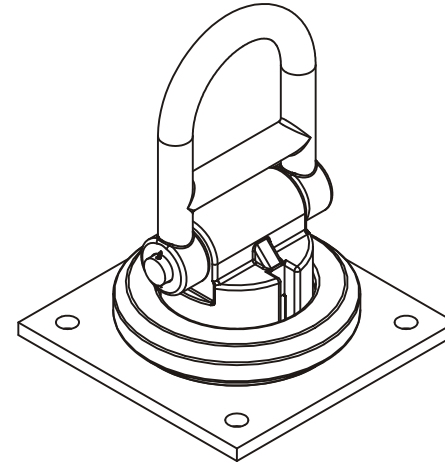
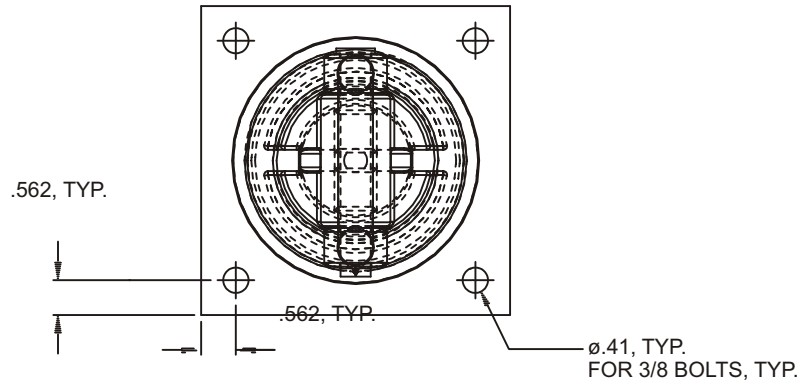
NOTES:

1. PART NO: S33000E-C01P
2. LOAD CAPACITY - 10,000 LB. (SINGLE, TENSION)  
SAFETY FACTOR TO ULTIMATE STRENGTH IS 1.5 MIN.
3. STANDARD SPECIFICATION #EAD21000A APPLIES
4. CALCULATED WEIGHT: 5.75 LB.
5. DESIGNED AND MANUFACTURED TO MEET OR EXCEED ASME B30.20 AND BTH-1, DESIGN CATEGORY B, SERVICE CLASS 0.
6. THIS TIEDOWN ROTATES 360° ABOUT ITS VERTICAL AXIS AND A MIN OF 150° ABOUT ITS HORIZONTAL AXIS. IT IS DESIGNED TO SWIVEL & SWING TO THE TENSION LOAD PLANE OF THE TIEDOWN WITHIN THOSE ANGLES.

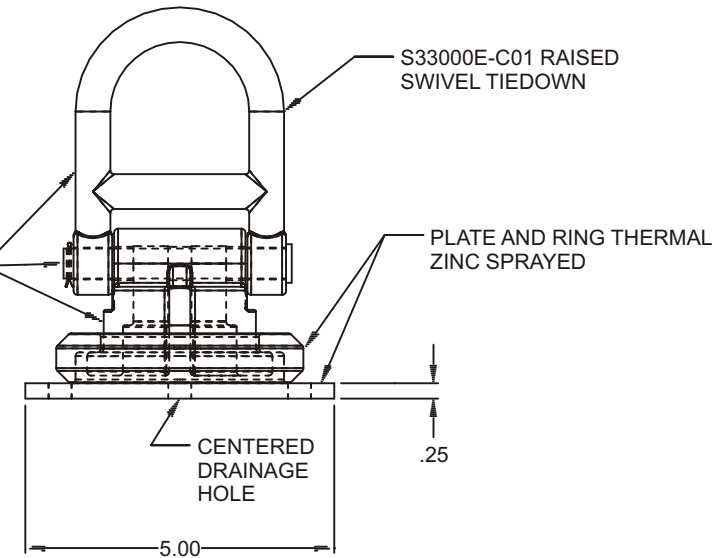
# RAISED SWIVEL TIEDOWN WELDED TO PLATE (S33000E-C01P)

Cage Code: 65059 | Drawing No: SS33000E-C01P | Revision: -- | Sheet: 1 of 1

UNLESS OTHERWISE SPECIFIED, DIMENSIONS ARE IN INCHES  
DO NOT SCALE DRAWING



RETAINER, TIEDOWN CLEVIS  
AND HINGE PIN ARE HOT DIP  
GALVANIZED AND DACROKOTED  
FLAT BACK.



To avoid lifter failure, potential death and property damage, never exceed WLL (Working Load Limit)

This document contains the proprietary information of Tandemloc, Inc. and your access and use shall be, and is at all times, pursuant to and limited by the Tandemloc, Inc. Terms of Use.

You shall not, and shall not encourage, assist, or authorize another party to copy, distribute, publically display, modify, reverse engineer, decompile, or take any other action to reproduce or replicate this document or the information contained herein. © Copyright 2012 by Tandemloc, Inc.

Dimensions are subject to manufacturing tolerance and change.



Email: [info@tandemloc.com](mailto:info@tandemloc.com) • [www.tandemloc.com](http://www.tandemloc.com)

824 Highway 101 • Havelock, NC 28532

TEL: 1.800.258.7324 (252.447.7155)

FAX: 1.800.892.3273 (252.447.5502)

Tandemloc designs, manufactures and tests lifting, securing and mobilizing components for all industries. See our website for details and important safety information.

Read all safety labels and instructions prior to use. Product to be used by qualified personnel only.