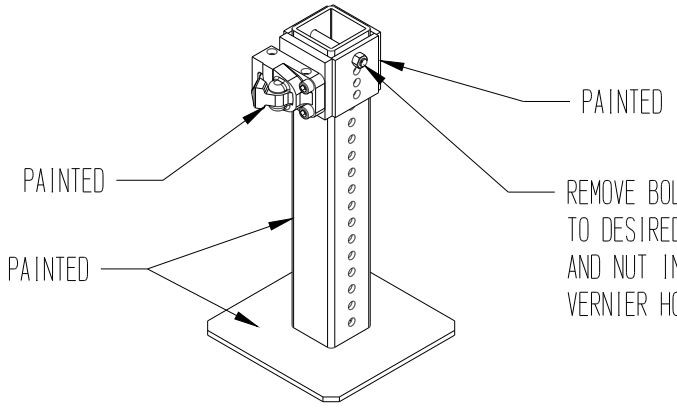
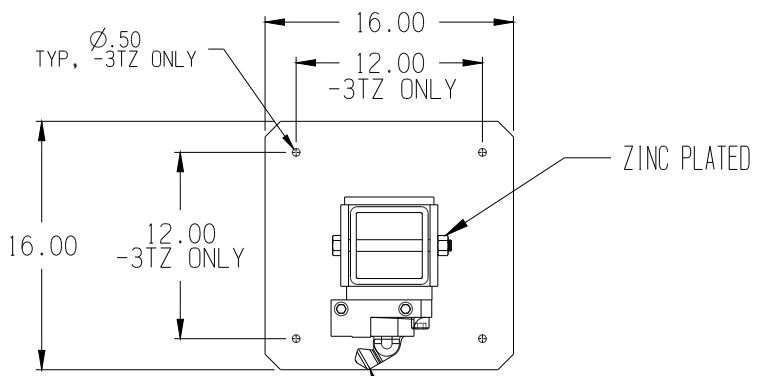
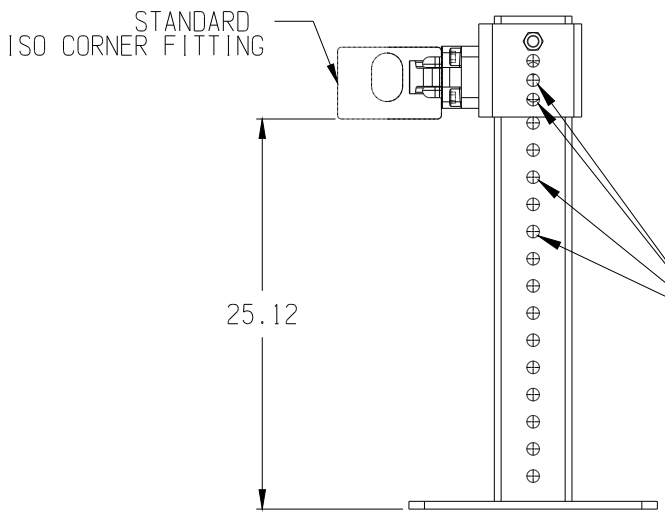
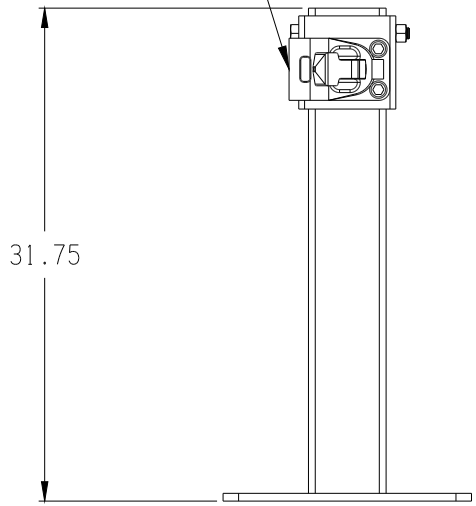


| REVISIONS |  |          |          |
|-----------|--|----------|----------|
| REV       | DESCRIPTION  | DATE     | APPROVED |
| B         | ADDED SHEET 2, P/N -3PG                                    | 04-17-08 | ML       |
| C         | PAINTED WAS GALVANIZED, THERMAL ZINC WAS HOT DIPPED ZINC   | 12-03-09 | DAH      |
| D         | ADDED SHEET 3, P/N -4PG                                    | 03-13-13 | DAH      |
| E         | ADDED P/N -3TZ, LEVELING LEG WITH HOLES, THERMAL ZINC COAT | 05-18-18 | WDD      |



USE RACHET (9/16" DRIVE) TO RIGIDLY CLAMP VISO TO SIDE OR END HOLES OF ISO CORNER FITTING

FITS AND TIGHTENS TO SIDE AND END HOLES OF STANDARD ISO CORNER FITTING



**This document contains the proprietary information of Tandemloc, Inc. and your access and use shall be, and is at all times, pursuant to and limited by the Tandemloc, Inc. Terms of Use. You shall not, and shall not encourage, assist, or authorize another party to copy, distribute, publicly display, modify, reverse engineer, decompile, or take any other action to reproduce this document or the information contained herein.**

VERNIER HOLES PROVIDE .25" ADJUSTMENT

**\*\* DO NOT SIGN IF CHANGES ARE REQUIRED \*\***

CUSTOMER APPROVAL: \_\_\_\_\_

DATE: \_\_\_\_\_

- NOTES:
- PART NO.: L09A00A-3PG, LEVELING LEG / L09A00A-3TZ, LEVELING LEG WITH HOLES, THERMAL ZINC COAT ONLY
  - WLL: 14,500 LB. PER LEG (58,000 LB. CONTAINER LOAD)
  - MAX HEIGHT OF CONTAINER (GROUND TO BOTTOM OF CORNER FITTING): 25.12 INCHES  
MIN HEIGHT OF CONTAINER (GROUND TO BOTTOM OF CORNER FITTING): 0.88 INCHES
  - FINISH: SANDBLASTED, THERMAL ZINC COATED, AND FOR -3PA ONLY, PRIMED AND PAINTED SAFETY YELLOW
  - CALCULATED WEIGHT: 130 LB.

©2019 by Tandemloc, Inc.  
Dimensions are subject to manufacturing tolerance and change.

|  |   |   |
|--|---|---|
| <input checked="" type="checkbox"/> "X" DENOTES APPLICABLE DATA UNLESS OTHERWISE NOTED. DIMENSIONS ARE IN INCHES & TOLERANCES ARE:<br>.XX ±.005<br>.XXX ±.0007<br>.XXX ±.03                                      | <input type="checkbox"/> "X" DENOTES APPLICABLE DATA LOST MAX CASTING TOL. IS:<br>0 TO 4" ±.030, 4.01" TO 7" ±.038"<br>7.01" TO 10.5" ±.045"<br>OVER 10.5" ±.052" |   |
| THIS DOCUMENT CONTAINS DATA WHICH IS EITHER PATENTED, PATENT PENDING, OR IS THE PROPERTY OF TANDEMLOC, INC. DISCLOSURE, OR COPYING WITHOUT THE WRITTEN AUTHORIZATION OF TANDEMLOC, INC. IS EXPRESSLY PROHIBITED. |   |   |
| APPROVALS<br>DRAWN: ML<br>DATE: 04-17-08   | TITLE: ISO CONTAINER LEVELING LEG<br>SIZE: D<br>CAGE CODE: 65059<br>SCALE:  | Dwg NO.: SLO9A00A<br>REV: E<br>SHEET 2 OF 3 |