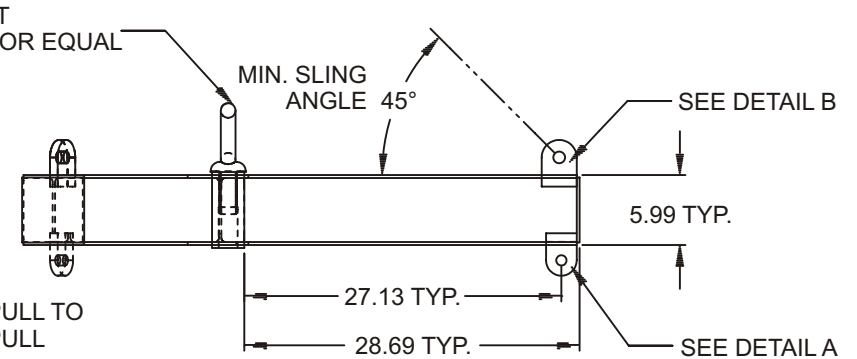
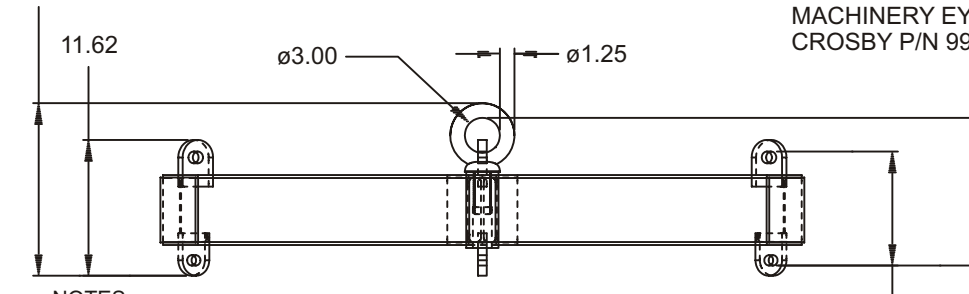
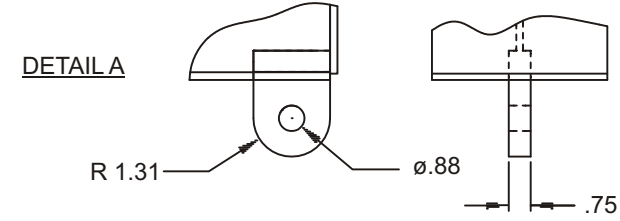
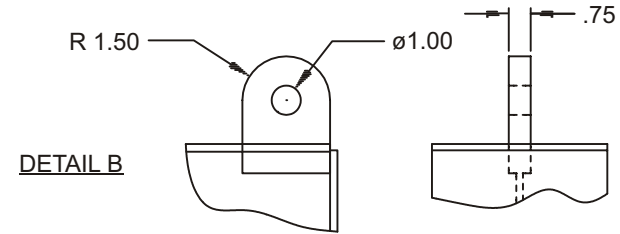
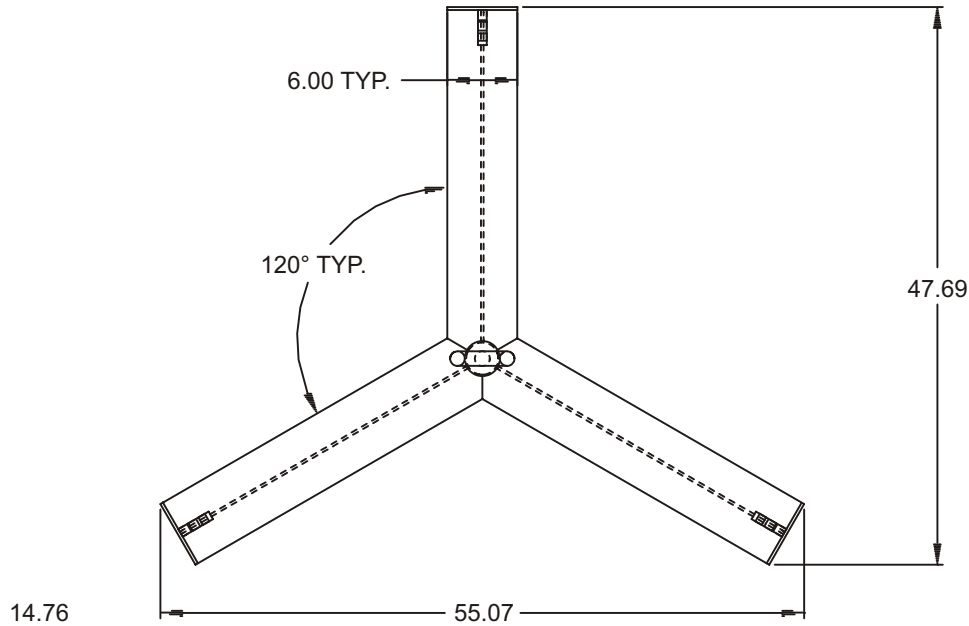


THREE POINT LIFT FIXTURE (AF25A00-00A-PA)

Cage Code: 65059 | Drawing No: SAF25A00 | Revision: A | Sheet: 1 of 1

UNLESS OTHERWISE SPECIFIED, DIMENSIONS ARE IN INCHES



MACHINERY EYE BOLT
CROSBY P/N 9900271 OR EQUAL

NOTES:

1. PART NO.: AF25A00-00A-PA, THREE POINT LIFT FIXTURE
2. WLL 10,800 LB
3. PROOF TESTED TO 200% (21,600 LB.) AND CERTIFIED
4. STANDARD SPECIFICATION #EAD2100A APPLIES
5. FINISH: SANDBLAST, PRIME AND PAINT SAFETY YELLOW
6. CALCULATED WEIGHT: 140 LB.

12.63 PULL TO PULL
9.74 PULL TO PULL

REVISIONS		DATE	APPROVED
REV A	DESCRIPTION ADDED TOP PADEYES	11/8/05	MRD

To avoid lifter failure, potential death and property damage, never exceed WLL (Working Load Limit)

This document contains the proprietary information of Tandemloc, Inc. and your access and use shall be, and is at all times, pursuant to and limited by the Tandemloc, Inc. Terms of Use.

You shall not, and shall not encourage, assist, or authorize another party to copy, distribute, publically display, modify, reverse engineer, decompile, or take any other action to reproduce or replicate this document or the information contained herein. © Copyright 2012 by Tandemloc, Inc.

Dimensions are subject to manufacturing tolerance and change.



Email: info@tandemloc.com • www.tandemloc.com
 824 Highway 101 • Havelock, NC 28532
 TEL: 1.800.258.7324 (252.447.7155)
 FAX: 1.800.892.3273 (252.447.5502)

Tandemloc designs, manufactures and tests lifting, securing and mobilizing components for all industries. See our website for details and important safety information.
 Read all safety labels and instructions prior to use. Product to be used by qualified personnel only.