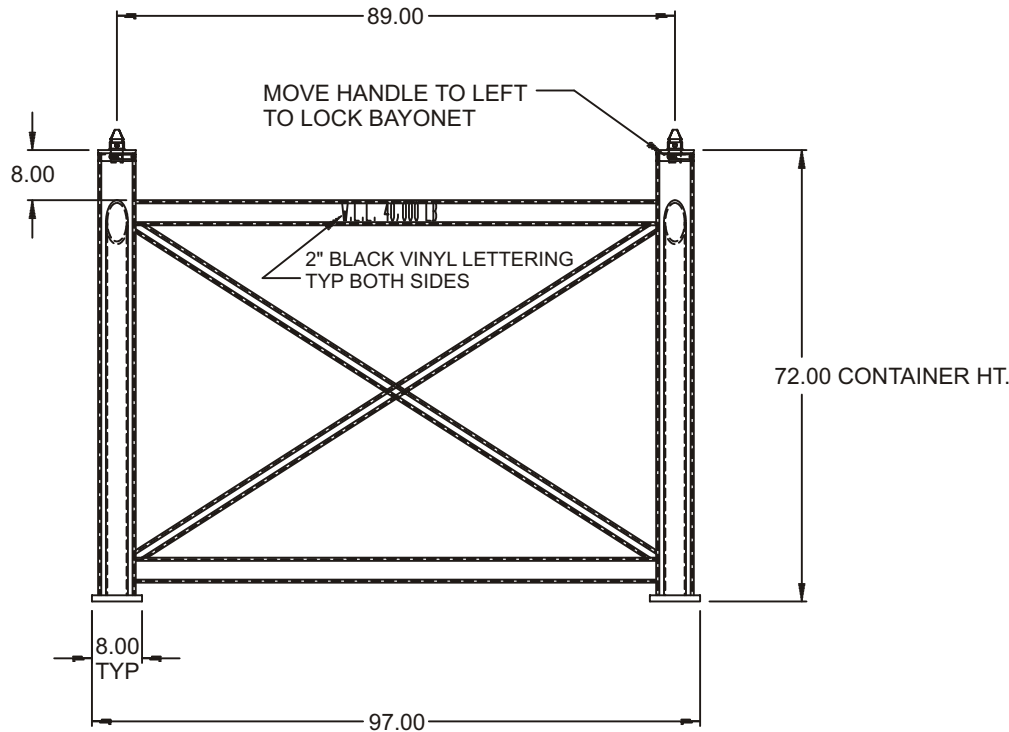


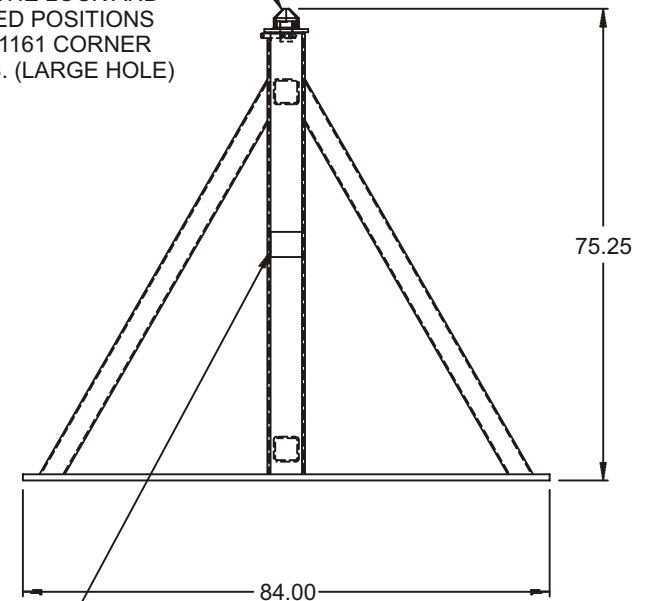
# CONTAINER INSPECTION AND MAINTENANCE STAND (AE14000A-1PA)

Cage Code: 65059 | Drawing No: SAE14000A | Revision: B | Sheet: 1 of 1

UNLESS OTHERWISE SPECIFIED, DIMENSIONS ARE IN INCHES  
SEE ELECTRONIC PARTS LIST FOR BILL OF MATERIALS



2 TWISTLOCK BAYONETS WITH HANDLE, DETENTS WITH BALL AND SPRING LOCATE THE LOCK AND UNLOCKED POSITIONS FOR ISO 1161 CORNER FITTINGS. (LARGE HOLE)



STAINLESS STEEL TAG WELDED 1 LEG ONLY  
CNC MACHINED 1/4" HIGH LETTERING WITH FOLLOWING DATA:

WLL: 40,000 LB  
WIND LOAD RATING: 15 M.P.H.  
MANUFACTURER: TANDEMLOC, INC.

## NOTES:

1. P/N: AE14000A-1PA, CONTAINER STAND
2. WLL: 40 TONS (80,000 LB) WITH 15 MPH WINDLOAD PER TWO STANDS SUPPORTING A SINGLE 40' ISO CONTAINER WITH AN EVENLY DISTRIBUTED LOAD
3. 3:1 TO YIELD MIN FACTOR OF SAFETY
4. FINISH: SANDBLAST, PRIME AND PAINT SAFETY YELLOW
5. CALCULATED WEIGHT: 1,090 LB.

To avoid lifter failure, potential death and property damage, never exceed WLL (Working Load Limit)

This document contains the proprietary information of Tandemloc, Inc. and your access and use shall be, and is at all times, pursuant to and limited by the Tandemloc, Inc. Terms of Use.

You shall not, and shall not encourage, assist, or authorize another party to copy, distribute, publically display, modify, reverse engineer, decompile, or take any other action to reproduce or replicate this document or the information contained herein. © Copyright 2012 by Tandemloc, Inc.

Dimensions are subject to manufacturing tolerance and change.

## REVISIONS

REV	DESCRIPTION	DATE	APPROVED
A	REVISED 8" WAS 6", 84" WAS 88", ADDED DATA PLATE, LETTERING	05/06/04	W.D.D.
B	REVISED TITLE BLOCK, REVISED SST TAG	08/19/04	MD



Email: [info@tandemloc.com](mailto:info@tandemloc.com) • [www.tandemloc.com](http://www.tandemloc.com)  
824 Highway 101 • Havelock, NC 28532  
TEL: 1.800.258.7324 (252.447.7155)  
FAX: 1.800.892.3273 (252.447.5502)

Tandemloc designs, manufactures and tests lifting, securing and mobilizing components for all industries. See our website for details and important safety information.  
Read all safety labels and instructions prior to use. Product to be used by qualified personnel only.