

\*\*\* DO NOT SIGN IF CHANGES ARE REQUIRED \*\*\*

CUSTOMER APPROVAL: \_\_\_\_\_

DATE: \_\_\_\_\_

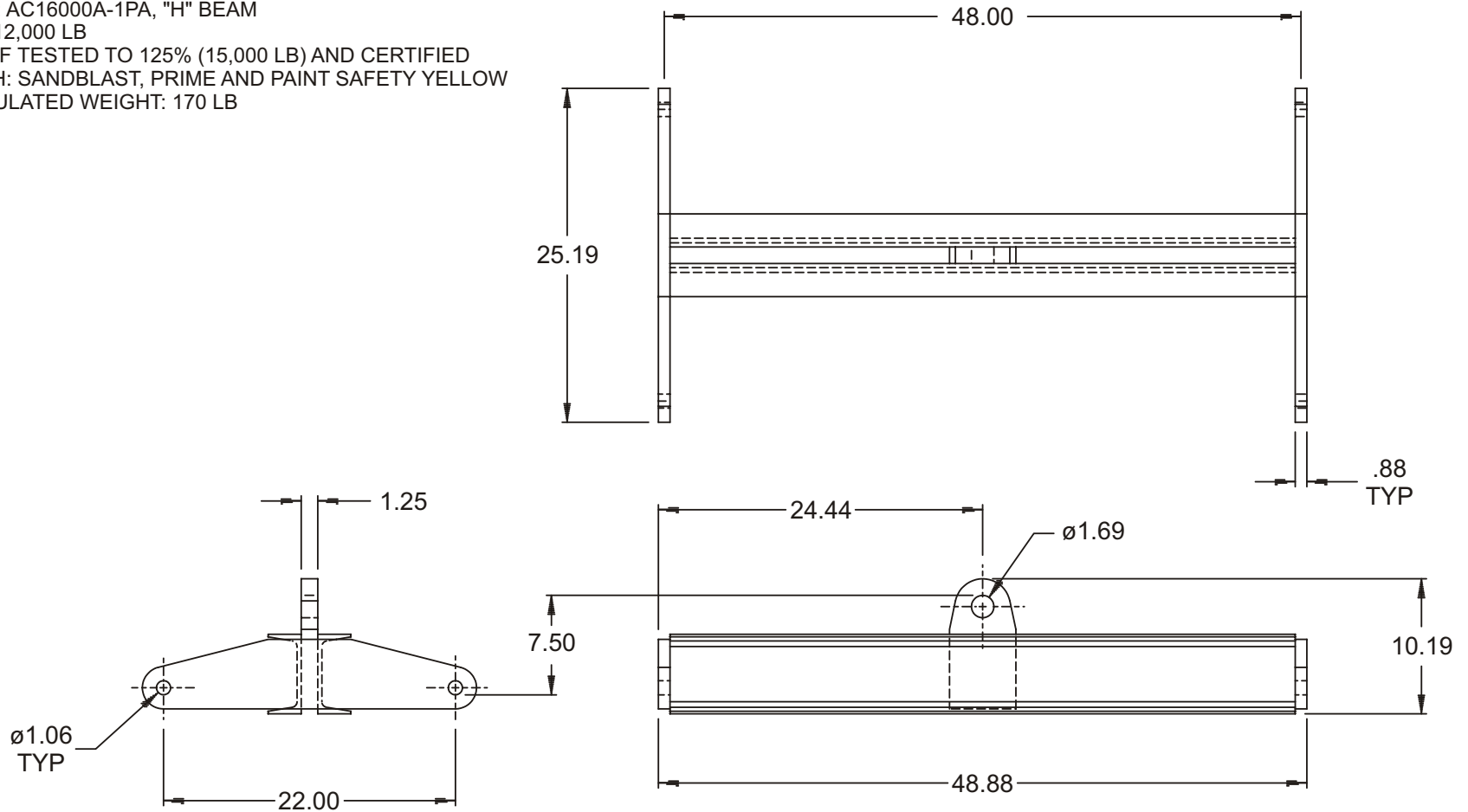
# "H" STYLE LIFT BEAM, 6 TON, 48" X 22" (AC16000A-1PA)

Cage Code: 65059 | Drawing No: SAC16000A | Revision: A | Sheet: 1 of 1

UNLESS OTHERWISE SPECIFIED, DIMENSIONS ARE IN INCHES  
SEE ELECTRONIC PARTS LIST FOR BILL OF MATERIALS

### NOTES:

1. P/N: AC16000A-1PA, "H" BEAM
2. WLL: 12,000 LB
3. PROOF TESTED TO 125% (15,000 LB) AND CERTIFIED
4. FINISH: SANDBLAST, PRIME AND PAINT SAFETY YELLOW
5. CALCULATED WEIGHT: 170 LB



**DANGER:** Never Exceed WLL (Working Load Limit)

This document contains data which is either patented, patent pending or is the property of Tandemloc, Inc.

Disclosure, or copying without the written authorization of Tandemloc, Inc. is expressly prohibited. © Copyright 2010 by Tandemloc, Inc.

Dimensions are subject to manufacturing tolerance and change.

REVISIONS			
REV	DESCRIPTION	DATE	APPROVED
A	REVISED PER CUSTOMER REQUIREMENTS	04/15/02	W.D.D.



Email: [info@tandemloc.com](mailto:info@tandemloc.com) • [www.tandemloc.com](http://www.tandemloc.com)  
 PO Box 279 • 824 Highway 101 • Havelock, NC 28532-0279  
 TEL: 1.800.258.7324 (252.447.7155)  
 FAX: 1.800.892.3273 (252.447.5502)

Tandemloc designs, manufactures and tests lifting, securing and mobilizing components for all industries. See our website for details and important safety information.

Tandemloc is a member of:

