

# LOW PROFILE SLING, BOTTOM LIFT I.S.O. TYPE CONTAINER SLING (AB68000A)

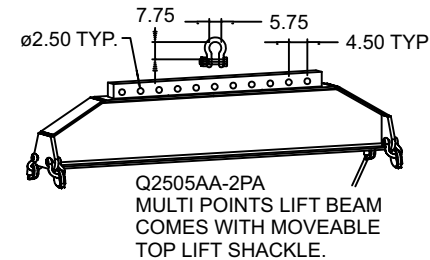
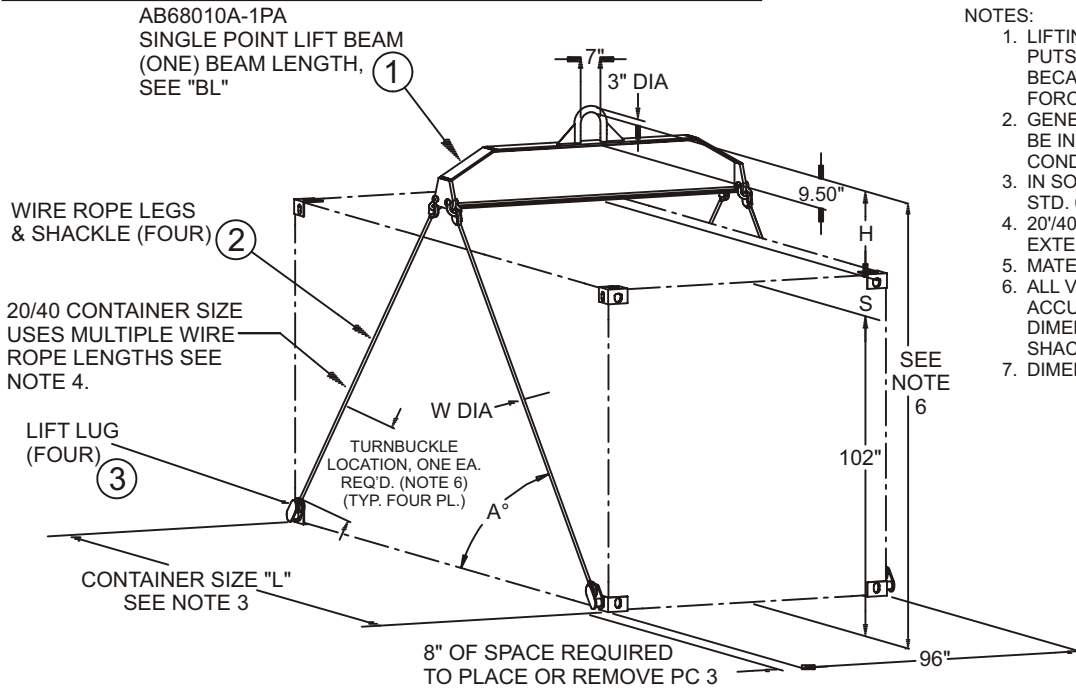
Cage Code: 65059 | Drawing No: SAB68000A | Revision: D | Sheet: 1 of 1

UNLESS OTHERWISE SPECIFIED, DIMENSIONS ARE IN INCHES  
SEE ELECTRONIC PARTS LIST FOR BILL OF MATERIALS

REVISIONS		DATE	APPROVED
REV B	DESCRIPTION ADDED AB68000A-2SPA	10/03/05	MD
C	SEE ECO 07-015	04/12/07	ML
D	SEE ECO 07-017	04/20/07	ML

NOTES:

- LIFTING A 40 FT. ISO FREIGHT CONTAINER WITH A 30° ANGLE (FROM HORIZONTAL) SLING PUTS THE HIGHEST ALLOWABLE FORCES ON THE CONTAINER AND CORNER FITTINGS. BECAUSE OF THIS THE SAF. FAC. IS 4:1 TO ULT. AVOID ACTIONS THAT WILL MULTIPLY THESE FORCES TO ANY DEGREE AND TAKE SPECIAL NOTE OF NOTE 2 BELOW.
- GENERAL - ALL CONTAINERS, CORNER FITTINGS, AND SLING EQUIPMENT SHALL BE INSPECTED FOR FLAWS AND DAMAGE BEFORE USE. ONLY EQUIPMENT IN GOOD CONDITION SHALL BE LIFTED.
- IN SOME CASES, I.S.O. CONTAINER MEASURED LENGTHS DIFFER FROM SIZE "L". REF. I.S.O. STD. 668.
- 20'/40' COMBO SLINGS HAVE SHORT WIRE ROPE LEGS FOR A 20' LIFT & FOUR WIRE ROPE EXTENSIONS FOR A 40' LIFT.
- MATERIAL AND FINISH: PC1 - STEEL, PAINTED. PC2 - STEEL, BRIGHT. PC3 - STEEL, PAINTED.
- ALL VERTICAL DIMENSIONS ARE SUBJECT TO SIGNIFICANT VARIATION DUE TO THE ACCUMULATION OF TOLERANCES FOR THE HEAVY WIRE ROPE LENGTHS. IF THE VERTICAL DIMENSION IS IMPORTANT IN YOUR APPLICATION, ASK FOR A -T00 (PC 2) WIRE ROPE, SHACKLE WITH ADJUSTING TURNBUCKLE FOR FINITE ADJUSTMENT.
- DIMENSIONS NOTED ARE FOR REFERENCE ONLY AND ARE SUBJECT TO MFG. TOLERANCE.



	"L" CONTAINER SIZE	RATED WORK LOAD	ORDER NUMBER	"H" HEAD ROOM	"S" SLACK	TOTAL WEIGHT	"A" USE ANGLE	"W" WIRE ROPE DIA.	COMPONENT PART NUMBERS			BEAM LG	SAFETY FACTOR TO ULTIMATE
									PC1 - LIFT BEAM	PC2 - WIRE ROPE LEGS AND SHACKLE	PC3 - LIFT LUG		
SINGLE POINT LIFT	40'	67,200 LB	AB68000A-1PA	33.42"	32.12"	1228 LB	30***	1.38"	AB68010A-1PA	AB68021A-100	416000B-YPA	102.5"	5:1
	20'	52,900 LB	AB68000A-2PA	33.42"	14.06"	920 LB	47	1.00"	AB68010A-1PA	AB68022A-100	416000B-YPA	102.5"	5:1
	20'	52,900 LB	AB68000A-2SPA	33.42"	14.06"	920 LB	47	1.00"	AB68010A-1PA	AB68022A-100	416000C-LSTZ*	102.5"	5:1
	20'/40'	67,200 LB	AB68000A-3PA	33.42"	14.06"/32.12"	1288 LB	47/30***	1.38"	AB68010A-1PA	AB68023A-100	416000B-YPA	102.5"	5:1
	20'	67,200 LB	AB68000A-4PA	33.42"	12.00"	1150 LB	47	1.13"	AB68010A-1PA	AB68024A-100	416000B-YPA	102.5"	4:1
	20'	67,200 LB	AB68000A-TPA	33.42"	0.00"/21.28***	1326 LB	43/48	1.13"	AB68010A-1PA	AB68024A-T00**	416000B-YPA	102.5"	4:1
MULTI-POINTS LIFT	20'/40'	67,200 LB	AB68000A-3MPA	33.68"	30.00"	1597 LB	45/30***	1.38"	Q2505AA-2PA	AB68023A-100	416000B-YPA	101.5"	4:1

\*LUG WITH SAFETY, \*\*WITH TURNBUCKLE ADJUSTMENT, \*\*\* 30° LIFT ANGLE IS THE MINIMUM USE ANGLE

To avoid lifter failure, potential death and property damage, never exceed WLL (Working Load Limit)

This document contains the proprietary information of Tandemloc, Inc. and your access and use shall be, and is at all times, pursuant to and limited by the Tandemloc, Inc. Terms of Use.

You shall not, and shall not encourage, assist, or authorize another party to copy, distribute, publically display, modify, reverse engineer, decompile, or take any other action to reproduce or replicate this document or the information contained herein. © Copyright 2011 by Tandemloc, Inc.

Dimensions are subject to manufacturing tolerance and change.



Email: [info@tandemloc.com](mailto:info@tandemloc.com) • [www.tandemloc.com](http://www.tandemloc.com)  
824 Highway 101 • Havelock, NC 28532  
TEL: 1.800.258.7324 (252.447.7155)  
FAX: 1.800.892.3273 (252.447.5502)

Tandemloc designs, manufactures and tests lifting, securing and mobilizing components for all industries. See our website for details and important safety information.  
Read all safety labels and instructions prior to use. Product to be used by qualified personnel only.