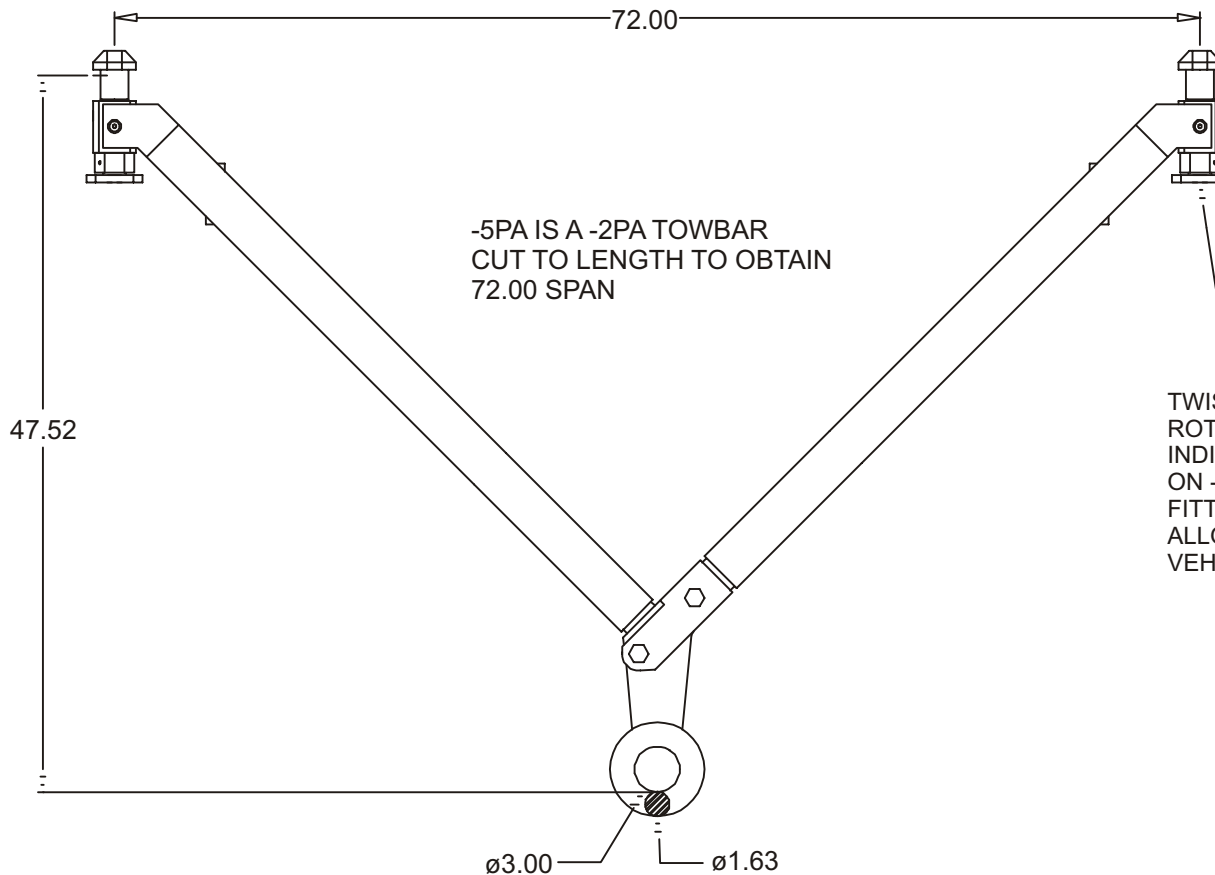


72" SPAN TWISTLOCK TOWBAR (AB42000A)

Cage Code: 65059 | Drawing No: SAB42000A | Revision: D | Sheet: 1 of 1

UNLESS OTHERWISE SPECIFIED, DIMENSIONS ARE IN INCHES
SEE ELECTRONIC PARTS LIST FOR BILL OF MATERIALS



TWISTLOCK PLUGS INTO STANDARD ISO 1161 CORNER FITTING. ROTATE HANDLE TO LOCK OR UNLOCK. HANDLE POSITION INDICATES TWISTLOCK HEAD POSITION (SHOWN LOCKED). ON -3PA MODEL, TWISTLOCK FITS VERY LOOSELY IN CORNER FITTING, ALLOWING FOR A $\pm 20^\circ$ ROTATION OF TOWBAR TO ALLOW FOR A SUBSTANTIALLY DIFFERENT HEIGHT TOWING VEHICLE.

NOTES:

1. P/N: AB42000A-5PA, TWISTLOCK TOWBAR, 72" SPAN
2. FINISH: SANDBLAST, PRIME AND PAINT SAFETY YELLOW
3. WLL: 70,000 LB. CAP
4. CALCULATED WEIGHT: 108.67 LB

To avoid lifter failure, potential death and property damage, never exceed WLL (Working Load Limit)

This document contains the proprietary information of Tandemloc, Inc. and your access and use shall be, and is at all times, pursuant to and limited by the Tandemloc, Inc. Terms of Use.

You shall not, and shall not encourage, assist, or authorize another party to copy, distribute, publically display, modify, reverse engineer, decompile, or take any other action to reproduce or replicate this document or the information contained herein. © Copyright 2012 by Tandemloc, Inc.

Dimensions are subject to manufacturing tolerance and change.

REV	DESCRIPTION	REVISIONS	DATE	APP.
A	ADDED -3PA AND -4PA		6/22/06	BT
B	ADDED -5PA AND PULL TO PULL DIMS ON -3PA/-4PA		9/12/06	WT
C	ADDED RING DIMS		10/02/06	WT
D	ADDED SHEET 5 WITH -2CP, SPECIAL PAINT		4/04/13	JML



Email: info@tandemloc.com • www.tandemloc.com
824 Highway 101 • Havelock, NC 28532
TEL: 1.800.258.7324 (252.447.7155)
FAX: 1.800.892.3273 (252.447.5502)

Tandemloc designs, manufactures and tests lifting, securing and mobilizing components for all industries. See our website for details and important safety information.
Read all safety labels and instructions prior to use. Product to be used by qualified personnel only.