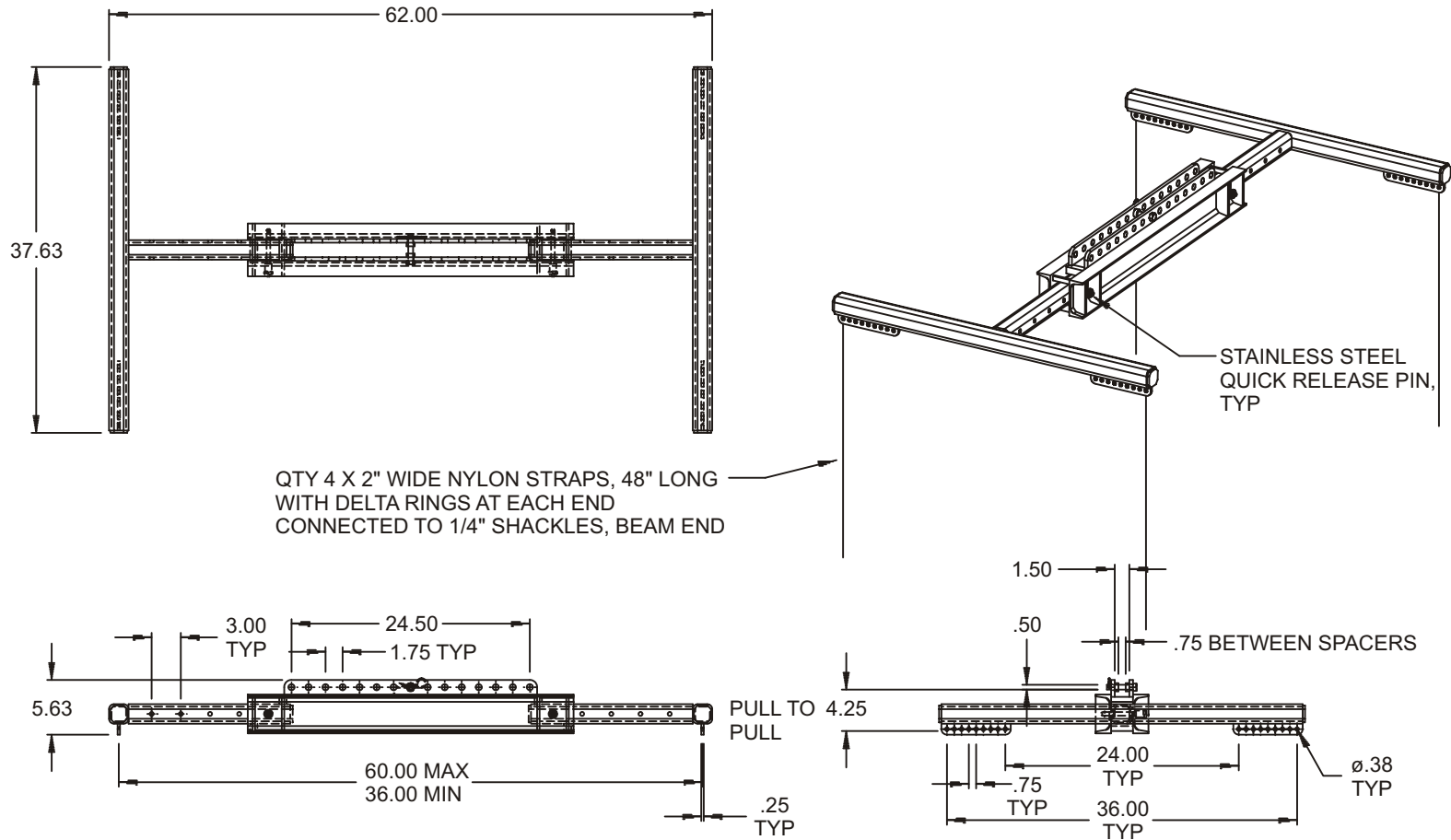


# FOUR POINT ADJUSTABLE SPREADER WITH STRAPS, WLL: 0.5 TON (AB22000A-1PA)

Cage Code: 65059 | Drawing No: SAB22000A | Revision: A | Sheet: 1 of 1

UNLESS OTHERWISE SPECIFIED, DIMENSIONS ARE IN INCHES



**NOTES:**

1. P/N: AB22000A-1PA, FOUR POINT ADJUSTABLE SPREADER
2. WLL: 0.5 TON (1,000 LB)
3. PROOF TESTED TO 125% (1,250 LB) AND CERTIFIED, CONFORMS TO ANSI B30.20
4. FINISH: SANDBLAST, PRIME AND PAINT SAFETY YELLOW
5. CALCULATED WEIGHT: 100 LB

CUSTOMER APPROVAL: \_\_\_\_\_

DATE: \_\_\_\_\_

**DANGER:** Never Exceed WLL (Working Load Limit)

This document contains data which is either patented, patent pending or is the property of Tandemloc, Inc. Disclosure, or copying without the written authorization of Tandemloc, Inc. is expressly prohibited. © Copyright 2010 by Tandemloc, Inc. Dimensions are subject to manufacturing tolerance and change.

REVISIONS		DATE	APPROVED
REV A	DESCRIPTION ADDED 2 MORE STRAPS, ANSI B30.20 NOTE	05/17/01	W.D.D.



Email: [info@tandemloc.com](mailto:info@tandemloc.com) • [www.tandemloc.com](http://www.tandemloc.com)  
 PO Box 279 • 824 Highway 101 • Havelock, NC 28532-0279  
 TEL: 1.800.258.7324 (252.447.7155)  
 FAX: 1.800.892.3273 (252.447.5502)

Tandemloc designs, manufactures and tests lifting, securing and mobilizing components for all industries. See our website for details and important safety information.

Tandemloc is a member of:

