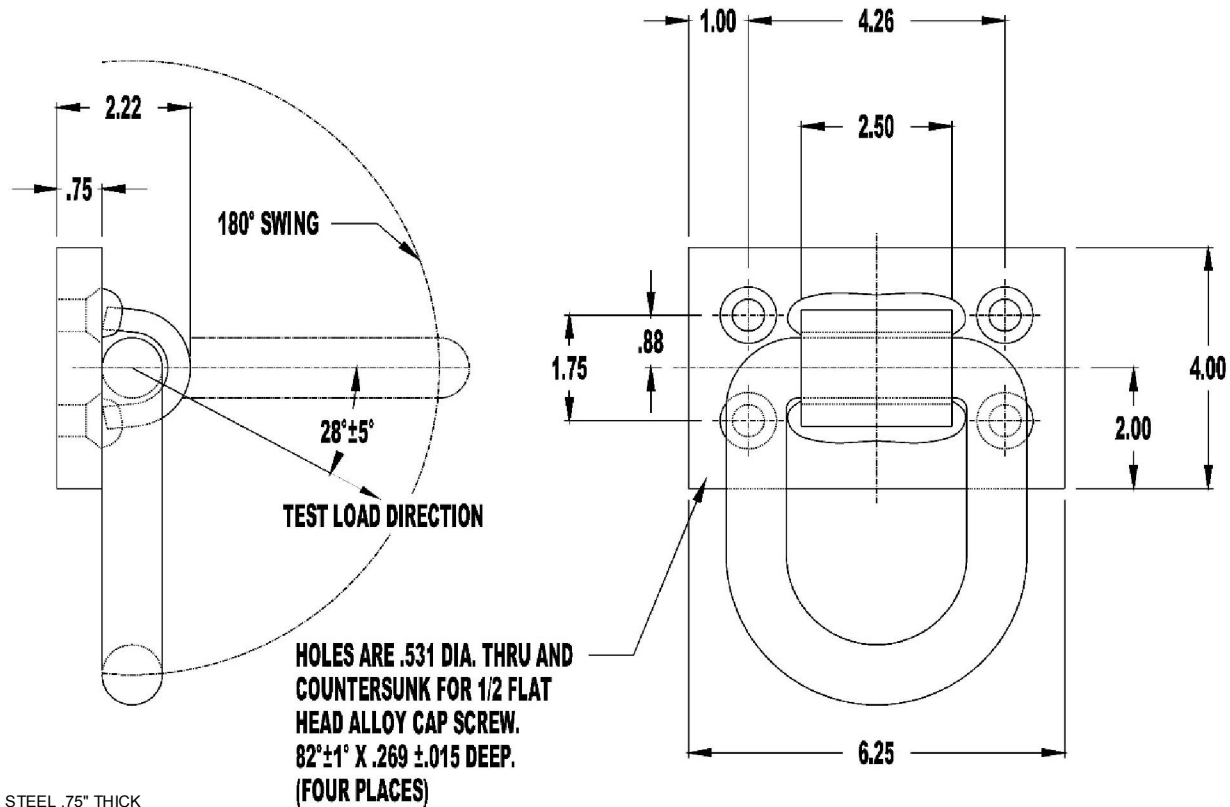


D-RING ON BOLT DOWN PLATE, MBS 46,000 LB. (9202-P46GTZ)

Cage Code: 65059 | Drawing No: S9202-P46GTZ | Revision: - | Sheet: 1 of 1

UNLESS OTHERWISE SPECIFIED, DIMENSIONS ARE IN INCHES



NOTE:

1. PLATE MATERIAL: ASTM A36 STEEL .75" THICK
D-RING MATERIAL: S9202-D46LG DRAWING
STRAP MATERIAL: S9202-S46 DRAWING
2. BOLT HOLES ARE COUNTERSUNK FOR FLUSH FLAT HEAD CAP SCREWS INSTALLATION.
3. USE 1/2" ALLOY CAP SCREW
4. SEE S9202 DRAWINGS FOR D RING AND STRAP DIMENSIONS AND STRENGTH DATA.
5. BOLT PLATE FINISH: THERMAL ZINC COATING AFTER ASSEMBLY
STRAP FINISH: THERMAL ZINC COATING AFTER ASSEMBLY
D-RING FINISH: HOT DIP GALVANIZED
6. WEIGHT: 8.7 LB.

To avoid lifter failure, potential death and property damage, never exceed WLL (Working Load Limit).

This document contains the proprietary information of Tandemloc, Inc. and your access and use shall be, and is at all times, pursuant to and limited by the Tandemloc, Inc. Terms of Use.

You shall not, and shall not encourage, assist, or authorize another party to copy, distribute, publicly display, modify, reverse engineer, decompile, or take any other action to reproduce this document or the information contained herein. © Copyright 2014 by Tandemloc, Inc.

Dimensions are subject to manufacturing tolerance and change.



Email: info@tandemloc.com • www.tandemloc.com

824 Highway 101 • Havelock, NC 28532

Tel: 1.800.258.7324 (252.447.7155)

FAX 1.800.892.3273 (252.447.5502)

Tandemloc, Inc. designs, manufactures and tests lifting, securing and mobilizing components for all industries. See our website for details and important safety information.

Read all safety labels and instructions prior to use. Product to be used by qualified personnel only.