

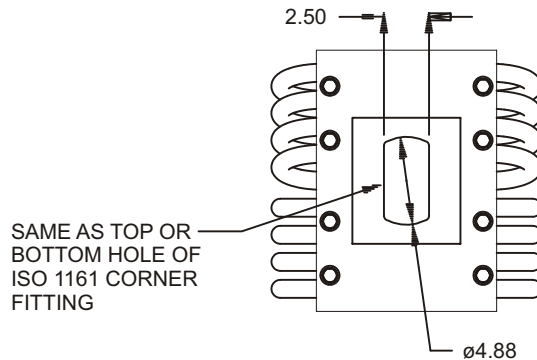
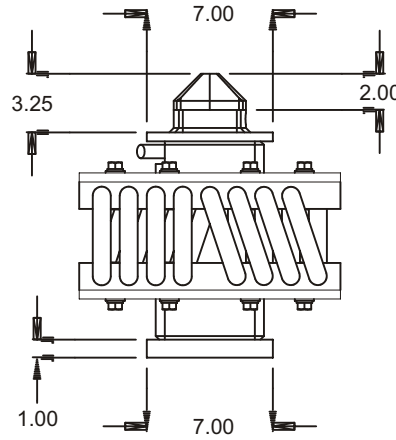
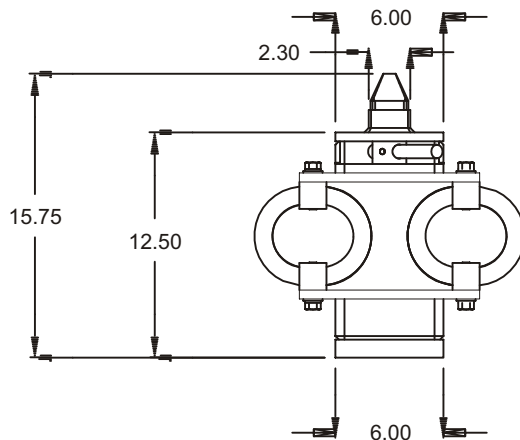
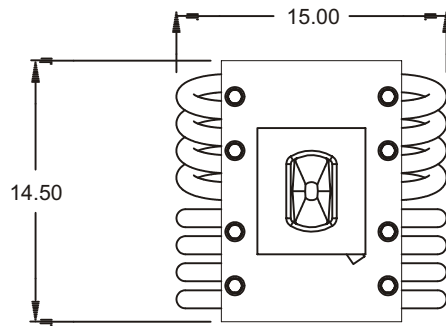
HEIGHT EXTENDER WITH SHOCK ABSORBER (90401SA-CPA)

Cage Code: 65059 | Drawing No: S90401SA | Revision: -- | Sheet: 1 of 1

UNLESS OTHERWISE SPECIFIED, DIMENSIONS ARE IN INCHES

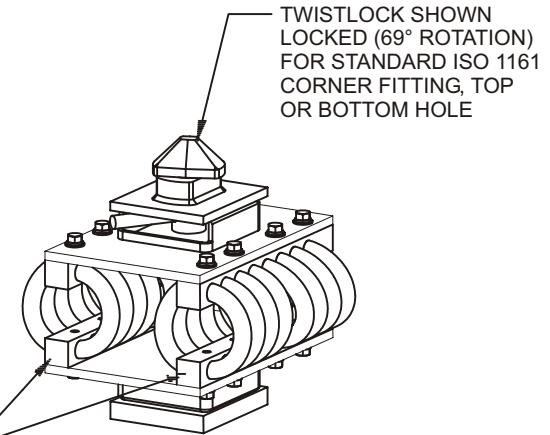
NOTES:

1. P/N: 90401SA-CPA, HEIGHT EXTENDER WITH SHOCK ABSORBER
2. DESIGNED FOR 1G LOAD OF 2500 LB PLUS SHOCK ENVIRONMENT
3. FINISH: STEEL: SANDBLAST, PRIME AND PAINT SAFETY YELLOW
ISOLATORS: -BARS: CHEM FILM PER IAW MIL-C-5541, CLASS 1A
-CABLES: 300 STAINLESS STEEL PER RR-W-410
4. CALCULATED WEIGHT: 80 LB



SAME AS TOP OR
BOTTOM HOLE OF
ISO 1161 CORNER
FITTING

Ø4.88



TWISTLOCK SHOWN
LOCKED (69° ROTATION)
FOR STANDARD ISO 1161
CORNER FITTING, TOP
OR BOTTOM HOLE

ISOLATOR DYNAMICS, CORP
ISOLATOR. P/N: M32-600-08-A
2 PIECES, WEIGHT: 23 LB/EA

To avoid lifter failure, potential death and property damage, never exceed WLL (Working Load Limit)

This document contains the proprietary information of Tandemloc, Inc. and your access and use shall be, and is at all times, pursuant to and limited by the Tandemloc, Inc. Terms of Use.

You shall not, and shall not encourage, assist, or authorize another party to copy, distribute, publically display, modify, reverse engineer, decompile, or take any other action to reproduce or replicate this document or the information contained herein. © Copyright 2012 by Tandemloc, Inc.

Dimensions are subject to manufacturing tolerance and change.



Email: info@tandemloc.com • www.tandemloc.com

824 Highway 101 • Havelock, NC 28532

TEL: 1.800.258.7324 (252.447.7155)

FAX: 1.800.892.3273 (252.447.5502)

Tandemloc designs, manufactures and tests lifting, securing and mobilizing components for all industries. See our website for details and important safety information.

Read all safety labels and instructions prior to use. Product to be used by qualified personnel only.