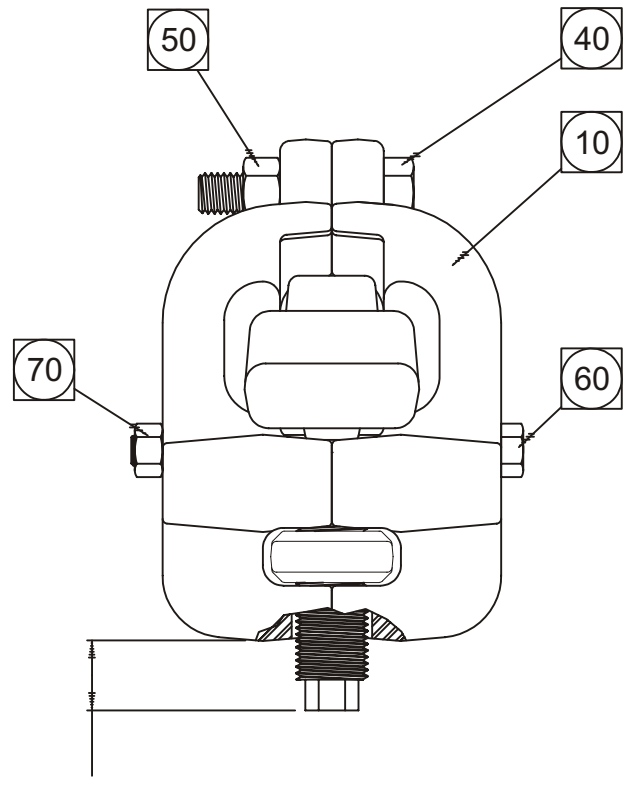


| REVISIONS | | DATE APPROVED |
|-----------|-----------------------------------|---------------|
| REV | DESCRIPTION | |
| A | ADDED THE WEIGHT TO THE NOTES | 1/25/11 DAH |
| B | ADDED USMC CONTROL DRAWING NUMBER | 4/11/13 DAH |

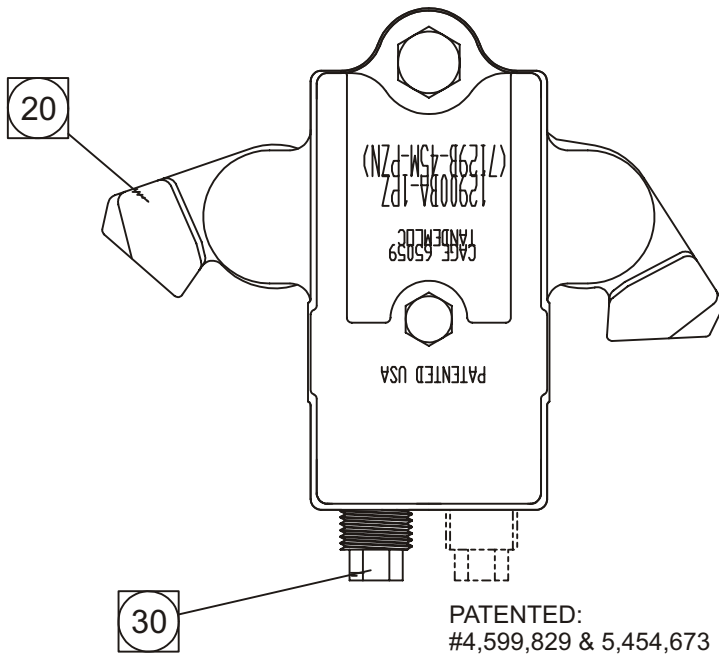
TANDEMLOC CONNECTOR ASSEMBLY (12900BA-1PZ)

Cage Code: 65059 | Drawing No: S12900BA | Revision: B | Sheet: 1 of 2

SEE ELECTRONIC PARTS LIST FOR BILL OF MATERIALS
UNLESS OTHERWISE SPECIFIED, DIMENSIONS ARE IN INCHES



DO NOT FORCE DRIVE STUD
BEYOND THIS 1.08" MAX.



DIMENSIONS WITHOUT TOLERANCE ARE SUBJECT
TO MFG TOL. & CHANGE WITHOUT NOTICE.

PATENTED:
#4,599,829 & 5,454,673
REF; USMC CONTROL DRAWING 845008A0030

| PC # | QUAN. | DESCRIPTION | PART # |
|------|-------|---|-----------------|
| 10 | 2 | CLAMP BODY HALF | 12920BA-1PA |
| 20 | 2 | CLAMP ARM | 12940BA-1PA |
| 30 | 2 | DRIVE STUD ASSEMBLY | 12930BA-1PZ |
| 40 | 1 | BOLT, HEX HEAD 1/2-13UNC X 2-1/4 LG GRADE 8 STEEL ZINC PLATED | WHB005013000225 |
| 50 | 1 | LOCKNUT, HEX 1/2-13UNC PLASTIC INSERT TYPE | UPS005013000061 |
| 60 | 1 | BOLT, HEX HEAD 3/8-24UNF X 5 LG GRADE 8 STEEL ZINC PLATED | WHB003824000500 |
| 70 | 1 | LOCKNUT, HEX 3/8-24UNF PLASTIC INSERT TYPE | UPS003824000047 |
| 80 | 1 | GREASE, WATERPROOF | \$CCNSL3190 |

To avoid lifter failure, potential death and property damage, never exceed WLL (Working Load Limit)
This document contains the proprietary information of Tandemloc, Inc. and your access and use shall be, and is at all times, pursuant to and limited by the Tandemloc, Inc. Terms of Use.
You shall not, and shall not encourage, assist, or authorize another party to copy, distribute, publically display, modify, reverse engineer, decompile, or take any other action to reproduce or replicate this document or the information contained herein. © Copyright 2012 by Tandemloc, Inc.
Dimensions are subject to manufacturing tolerance and change.



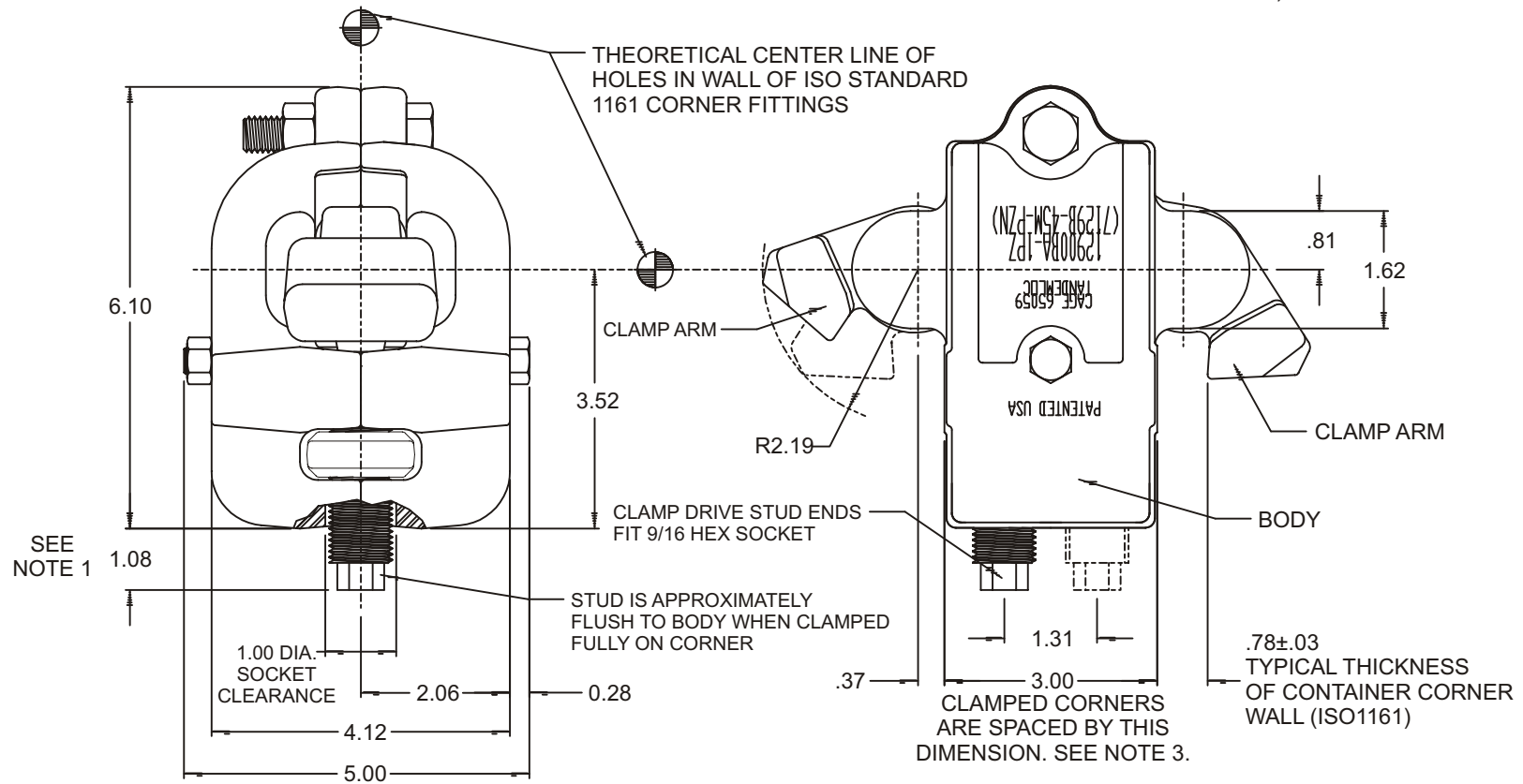
Email: info@tandemloc.com • www.tandemloc.com
824 Highway 101 • Havelock, NC 28532
TEL: 1.800.258.7324 (252.447.7155)
FAX: 1.800.892.3273 (252.447.5502)

Tandemloc designs, manufactures and tests lifting, securing and mobilizing components for all industries. See our website for details and important safety information.
Read all safety labels and instructions prior to use. Product to be used by qualified personnel only.

TANDEMLOC CONNECTOR ASSEMBLY (12900BA-1PZ)

Cage Code: 65059 | Drawing No: S12900BA | Revision: F | Sheet: 2 of 2

SEE ELECTRONIC PARTS LIST FOR BILL OF MATERIALS
UNLESS OTHERWISE SPECIFIED, DIMENSIONS ARE IN INCHES



NOTES:

- DO NOT FORCE DRIVE STUD ASSEMBLY BEYOND THE 1.08 DIMENSION SHOWN. IMPACT WRENCHES SHOULD NEVER BE USED TO BACKOUT THE DRIVE STUD
- ALL DIMENSIONS ARE IN INCHES.
- 3.00 CONTAINER SPACING IS SUBJECT TO +.00/-06 TOLERANCE ALL OTHER DIMENSIONS ARE SUBJECT TO MANUFACTURING TOLERANCE.
- WEIGHT: 17.1 LB.

REF; USMC CONTROL DRAWING 845008A0030

| REVISIONS | | |
|-----------|-----------------------------------|---------------|
| REV | DESCRIPTION | DATE APPROVED |
| A | ADDED THE WEIGHT TO THE NOTES | 1/25/11 DAH |
| B | ADDED USMC CONTROL DRAWING NUMBER | 4/11/13 DAH |

To avoid lifter failure, potential death and property damage, never exceed WLL (Working Load Limit)

This document contains the proprietary information of Tandemloc, Inc. and your access and use shall be, and is at all times, pursuant to and limited by the Tandemloc, Inc. Terms of Use.

You shall not, and shall not encourage, assist, or authorize another party to copy, distribute, publically display, modify, reverse engineer, decompile, or take any other action to reproduce or replicate this document or the information contained herein. © Copyright 2012 by Tandemloc, Inc.

Dimensions are subject to manufacturing tolerance and change.



Email: info@tandemloc.com • www.tandemloc.com
824 Highway 101 • Havelock, NC 28532
TEL: 1.800.258.7324 (252.447.7155)
FAX: 1.800.892.3273 (252.447.5502)

Tandemloc designs, manufactures and tests lifting, securing and mobilizing components for all industries. See our website for details and important safety information.
Read all safety labels and instructions prior to use. Product to be used by qualified personnel only.