

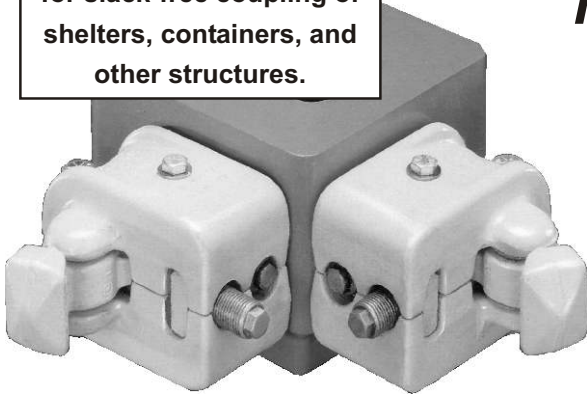
12900BA-1PZ

TANDEMLOC HORIZONTAL CONNECTOR

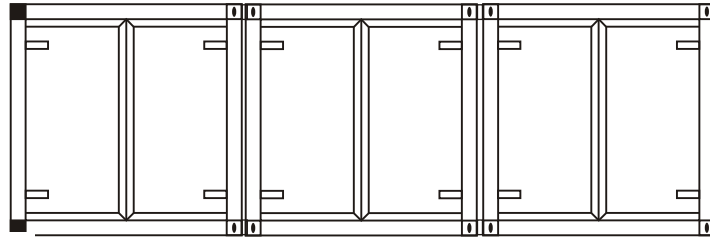
Instruction Manual
Nº DF 12900BA-1PZ

The horizontal connector that rigidly clamps
**OPERATING INSTRUCTIONS
& SPECIFICATIONS**

The heavy duty connector
for slack-free coupling of
shelters, containers, and
other structures.

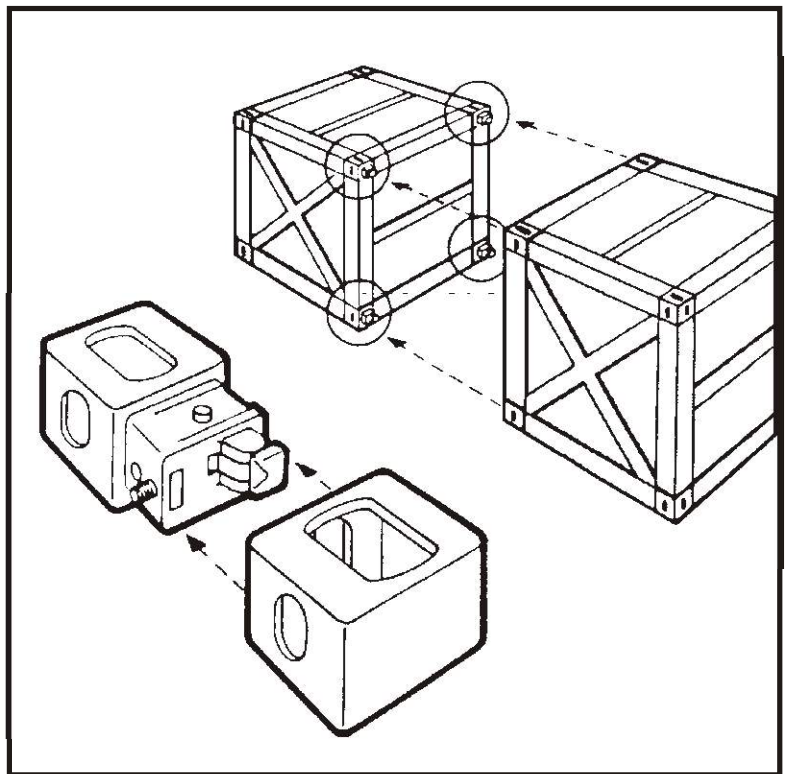


* Old P/Nº 7129B-45M-PZN



Horizontal Connection

(End to End or Side to Side)



Visit our website! www.tandemloc.com



PO Box 279 • 824 Highway 101 • Havelock, NC 28532-0279

email: info@tandemloc.com

TEL: 1-800-258-7324 • (252) 447-7155

FAX: 1-800-892-3273 • (252) 447-5502

Clamp Containers or Shelters Together HORIZONTALLY!

TANDEMLOC CONNECTORS fit all holes in standard ISO corner fittings. With optimum container handling, connectors can be attached or detached in less than 30 seconds each!

Horizontal Connector

No. 12900BA-IPZ

USAGE:

The TANDEMLOC CONNECTOR has been government tested and found to be the best connector available for connecting containers, shelters or other structures together horizontally. Containers and shelters outfitted with ISO corner fittings can be clamped together, rigidly, with a slop-free connection. Use of the TANDEMLOC CONNECTOR enables multiple units to be locked together and shipped as one - saving time and money. Shelter facilities can be quickly formed using our connector.

The TANDEMLOC connector is useful for connecting modular ISO type container structures that have been designed to be connected horizontally and handled as a single unit. The connector provides a tight, slack-free connection and fits all of the standard apertures in the ISO standard 1161 corner fittings which are found on these structures.

The individual tightening action of each end of the connector allows the connection to be made first to one container and then to the other - rather than requiring that the connection be made to both at the same time. This feature allows connections to be made by a minimum amount of personnel and allows for keeping the hands and bodies of users clear of hazard while the containers are being moved.

USEFUL OPERATING TOOLS:



Standard 9/16" hex socket with a 7-1/2" long universal handle is recommended for connecting.

DO NOT USE IMPACT WRENCHES TO DISCONNECT

OPTIMUM TORQUE FOR CONNECTING:

100 lb. force on the 7-1/2" handle and socket recommended above will produce approximately 50 ft-lb. of torque on the drive stud. When the ISO corners are in full contact with the 3.00" middle spacer body of the connector, this is the maximum torque required for tight connection.

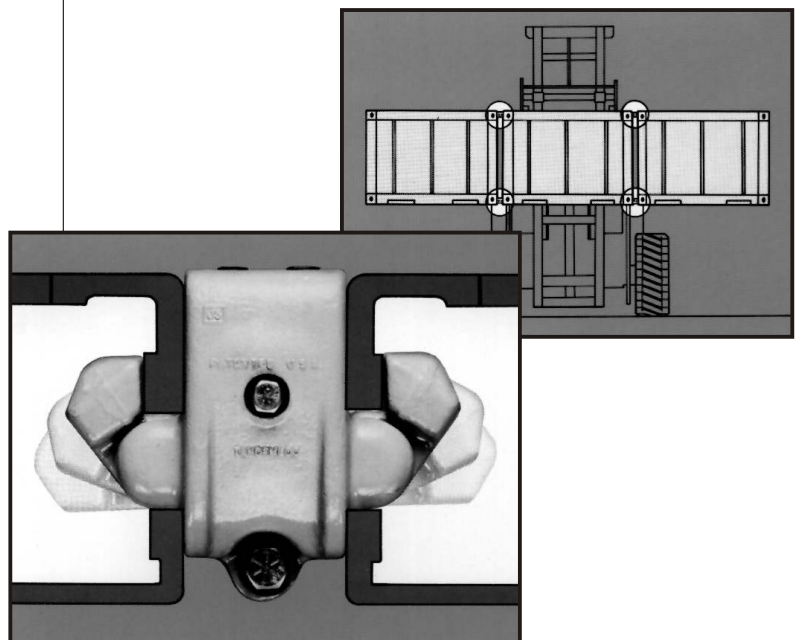
SPACE REQUIREMENTS:

Select a space large enough to accommodate container modules and handling vehicles. Level working surfaces will make the job easiest.

OPERATING INSTRUCTIONS:

1. Position and tighten TANDEMLOC CONNECTORS into corner fitting holes.
2. Move containers together.
3. Tighten second side of connector into container.

To Detach Container: REVERSE the Connecting Procedure.



**NEVER Work Connectors With
Personnel Underneath The Work Area**

The Horizontal Connector That Rigidly Clamps!

MAINTENANCE:

TANDEMLOC CONNECTORS have operating threads and pivot points that must always be coated with water-proof grease to insure trouble-free operation. The lubrication schedule should insure that a constant coating is maintained.

LONG TERM CONNECTIONS:

In long term exposure to corrosive environments, it is suggested the entire connection be covered externally to prevent the loss of interior lubricant. Under certain conditions suitable tape may be employed as a further seal.

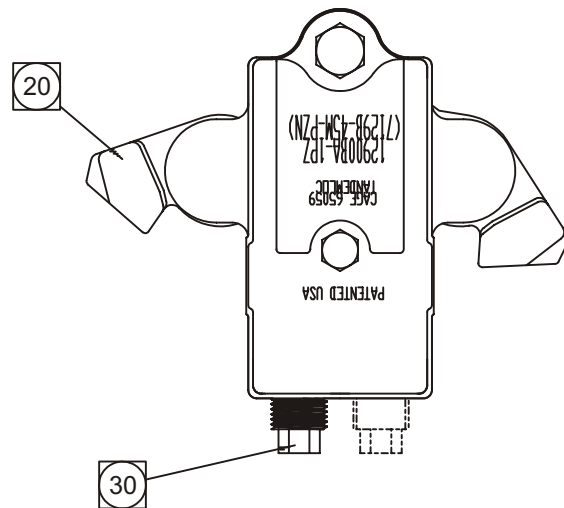
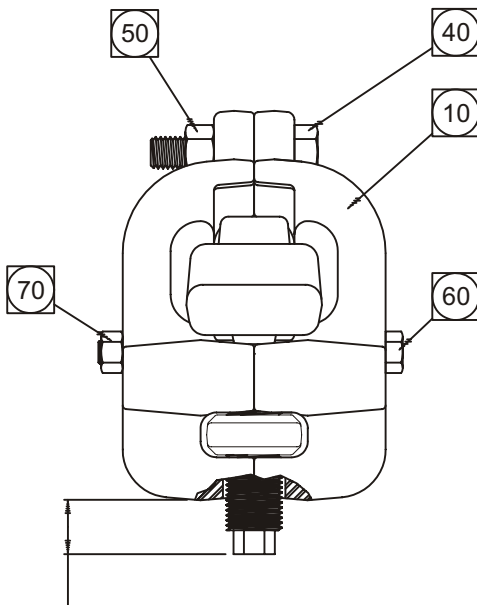
DISASSEMBLY AND CLEANING:

Connectors that require cleaning or parts replacement can be disassembled in the field with 9/16" and 3/4" wrenches. See parts list for replacement parts specifications.



Tandemloc Horizontal Connector #12900BA-1PZ

Patented:
#4,599,829 & 5,454,673



DO NOT FORCE DRIVE STUD
BEYOND THIS 1.08" MAX.

OPERATING POINT- DRIVE STUDS (2)

After filling the inside cavity with waterproof grease, rotate drive studs until threads are full out. Coat exposed threads with same grease. Move drive studs in and out a few times to evenly distribute.

PC#	QUANT	DESCRIPTION	PART#
10	2	Clamp Body Half	12920BA-1PA
20	2	Clamp Arm	12940BA-1PA
30	2	Drive Stud Assembly	12930BA-1PZ
40	1	Bolt, Hex Hd. 1/2" - 13UNC - 2-1/4 Lg. Gr. 8 Stil., Zinc Plated	WHB005013000225
50	1	Locknut, Hex 1/2"-13UNC Plastic Insert Type	UPS005013000061
60	1	Bolt, Hex Hd. 3/8" - 24UNF x 5 Lg. Gr. 8 Stil., Zinc Pl.	WHB003824000500
70	1	Locknut, Hex 3/8"-24UNF Plastic Insert Type	UPS003824000047
80	1	Grease - Waterproof	\$CCNSL3190

NOTE A:

See Above Diagram

NOTE B:

Paint type required should be specified for PC No 10, 20, & 30, or a grey commercial primer paint will be used.

NEVER Work Connectors With Personnel Underneath The Work Area

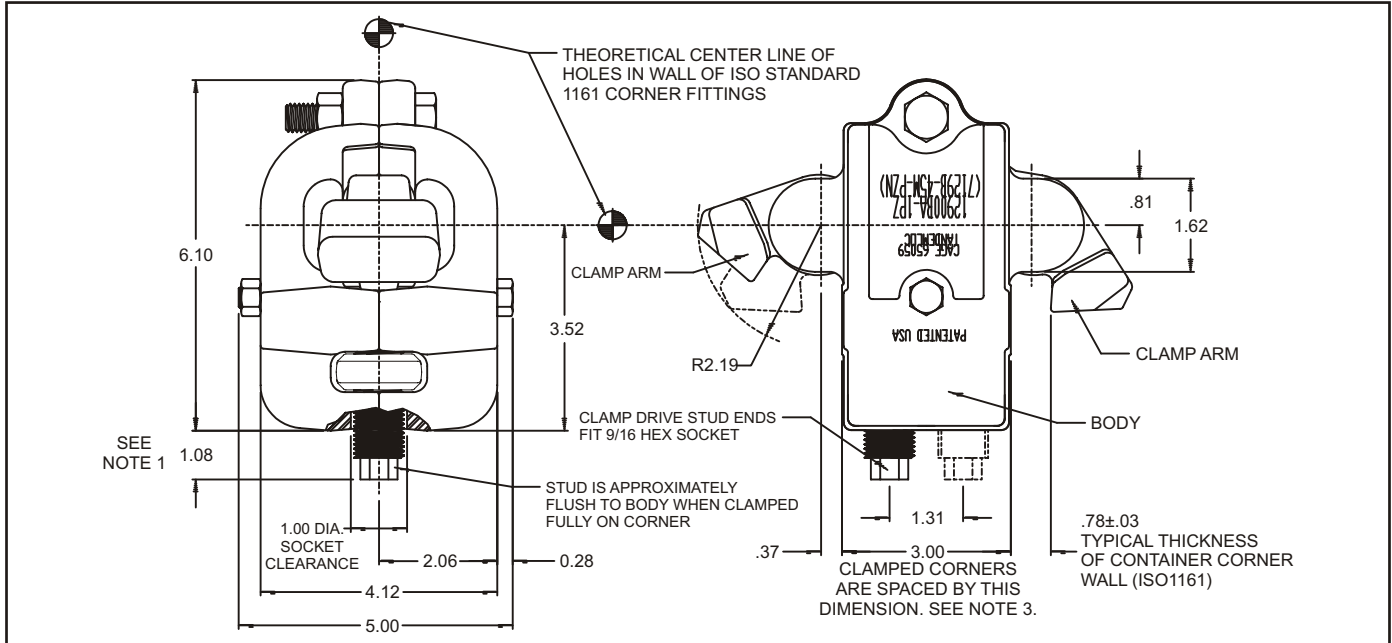
ORDER PART No: 12900BA-1PZ
PART NAME: HORIZONTAL CONNECTOR, PAINTED
NSN: 5410-01-363-7086 UNIT WT: 19 LB.

USE:

For connecting shelters, containers and other structures which have International Standards Organization (ISO) standard 1161 type corner fittings and are designed to be connected. Connections can be made with this connector both vertically and horizontally, but it is generally for horizontal connection.



Dimensions



* Old P/No. 7129B-45M-PZN

TYPE CONNECTION: CLAMP-TIGHT, SLACK FREE.
STRENGTH RATINGS: (TENSION ON CLAMP ARMS)
ULTIMATE STRENGTH: 54,000 LB.
INSPECTION SAMPLE PROOF TEST: 35,000 LB.

- NOTES:
- DO NOT FORCE DRIVE STUD ASSEMBLY BEYOND THE 1.08 DIMENSION SHOWN. IMPACT WRENCHES SHOULD NEVER BE USED TO BACKOUT THE DRIVE STUD
 - ALL DIMENSIONS ARE IN INCHES.
 - 3.00 CONTAINER SPACING IS SUBJECT TO +.00/-06 TOLERANCE
ALL OTHER DIMENSIONS ARE SUBJECT TO MANUFACTURING TOLERANCE.

CONSTRUCTION, MATERIAL, & FINISH:


Excluding washers, the metal parts in this assembly are all alloy steel. The body halves, clamp arms, and internal pushblocks are drop-forged and machined. The operating threaded parts are machined. Clamp arm washers are Nylon and locknuts are plastic insert type.

The drop-forged parts are painted to customer supplied specification, or with a grey primer paint.

The other metal parts are zinc plated.

Assembly is lubricated with waterproof grease.

Patented: #4,509,829 & 5.454,673

 CONTAINER LIFT EQUIPMENT • CONTAINER CASTERS • SECURING FITTINGS PO Box 279 • 824 Highway 101 Havelock, NC 28532-0279 TEL: 1-800-258-7324 FAX: 1-800-892-3273 TEL: (252) 447-7155 FAX: (252) 447-5502	P/N 712900B-IPZ HORIZONTAL CONNECTOR (OLD P/N 7129B-45M-PZN)				
	DATE 6/04	PREF.	REV.	MASTER NO.	SHEET
	BY MD	D	F	12900BA-1PZ	1 ^{OF} 1
	APPD				
	REF				