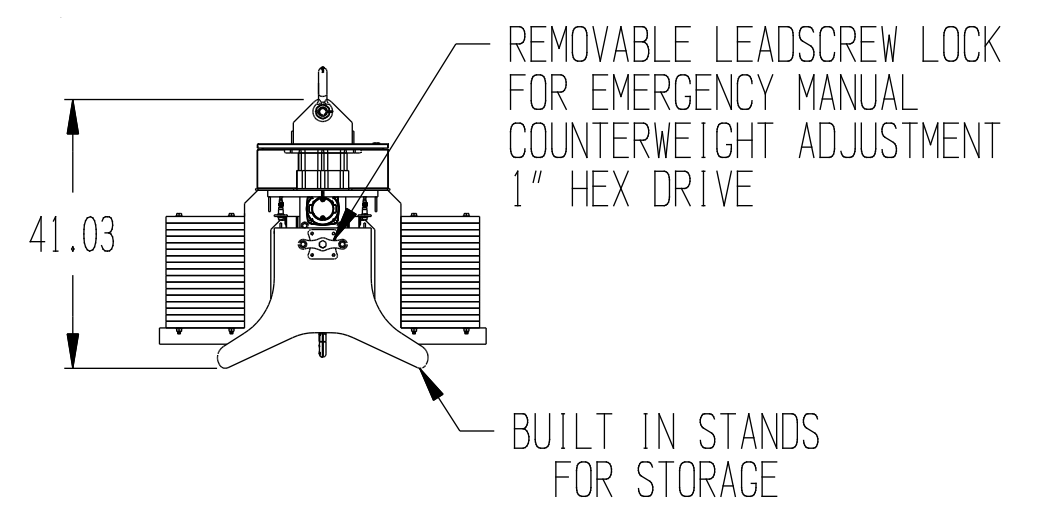
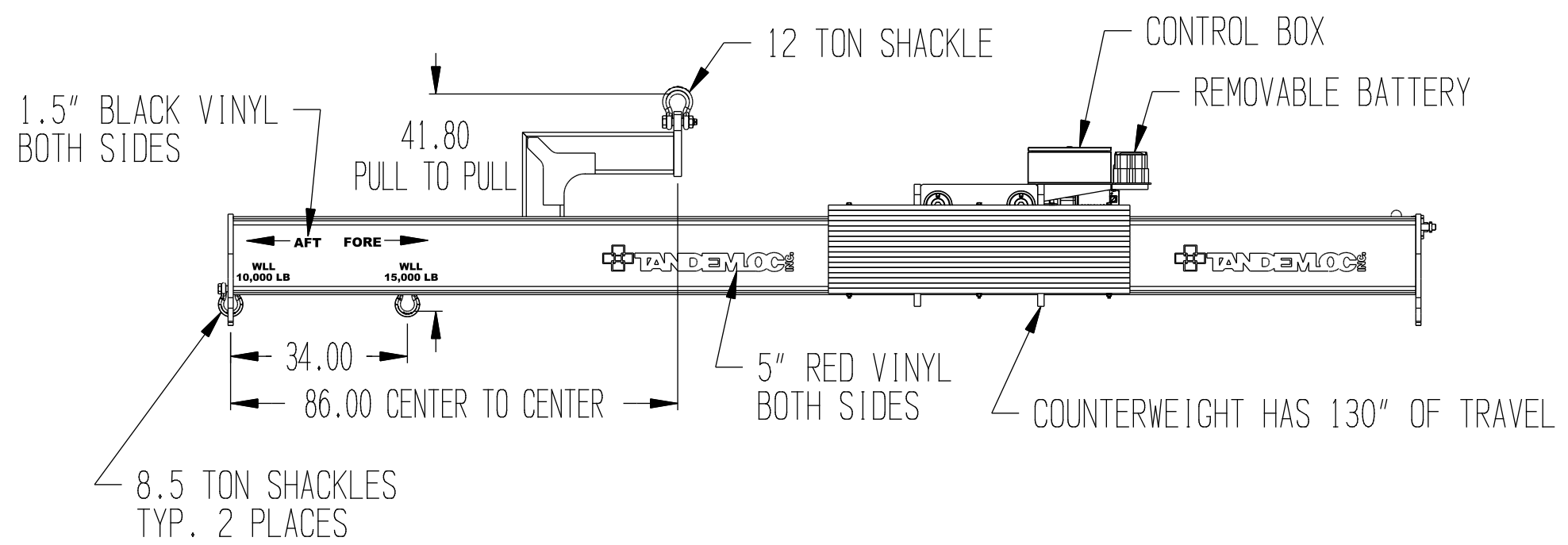
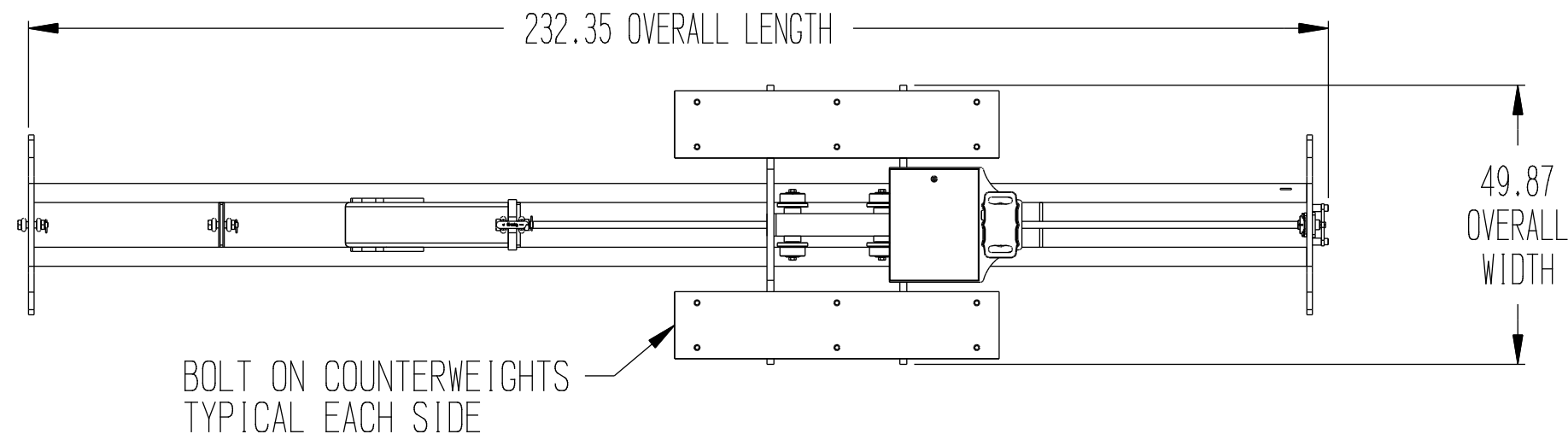


This document contains the proprietary information of Tandemloc, Inc. and your access and use shall be, and is at all times, pursuant to and limited by the Tandemloc, Inc. Terms of Use. You shall not, and shall not encourage, assist, or authorize another party to copy, distribute, publicly display, modify, reverse engineer, decompile, or take any other action to reproduce this document or the information contained herein.

©2023 by Tandemloc, Inc. Dimensions are subject to manufacturing tolerance and change.

| REV | DESCRIPTION | DATE | APPROVED |
|-----|-------------|------|----------|
| | | | |



- NOTES:
- PART NO.: AZ24A00-00A-PA, MOTORIZED OFFSET LIFT BEAM
 - WLL: 15,000 LB.
 - PROOF TESTED TO 125% (18,750 LB.) AND CERTIFIED
 - STANDARD SPECIFICATION # EAD21000A APPLIES
 - FINISH: SANDBLAST AND PRIME AND PAINT SAFETY YELLOW
 - CALCULATED WEIGHT: 9,262 LB.
 - DESIGNED AND MANUFACTURED TO MEET OR EXCEED ASME B30.20 AND BTH-1, DESIGN CATEGORY B, SERVICE CLASS 0.

**** DO NOT SIGN IF CHANGES ARE REQUIRED ****

CUSTOMER APPROVAL: _____

DATE: _____

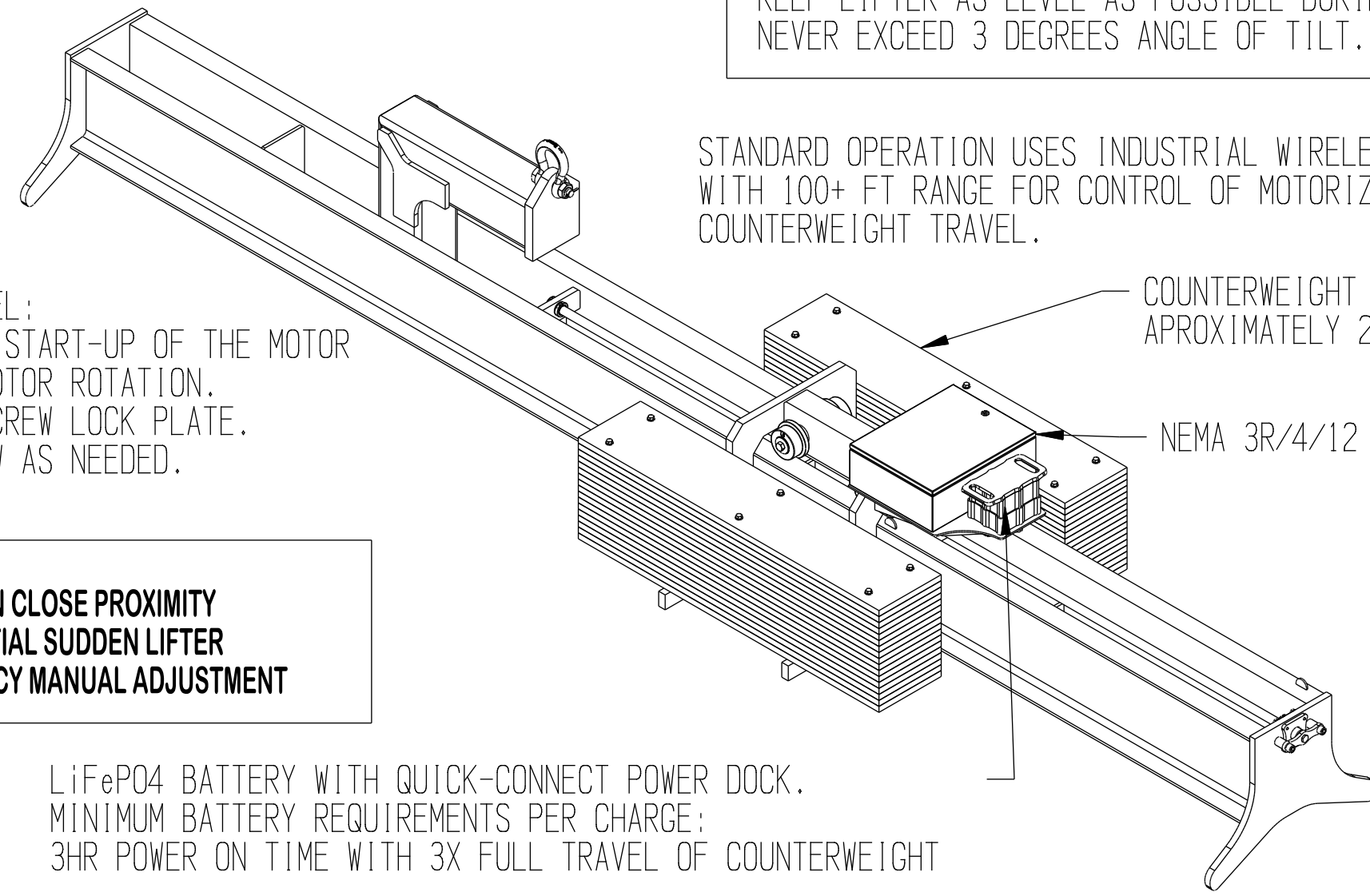
| | | | | | | |
|--|--|---|-----------|--------------------|---------------------|-----------|
| <small>(X) *X* DENOTES APPLICABLE DATA UNLESS OTHERWISE NOTED, DIMENSIONS ARE IN INCHES & TOLERANCES ARE: .XX ±.06 .XXXX ±.0007 .XXX ±.03</small> | <small>*X* DENOTES APPLICABLE DATA LOST WAX CASTING TOL. IS: 0 TO 4" ±.030 , 4.01" TO 7" ±.038" 7.01" TO 10.5" ±.045" OVER 10.5" ±.052"</small> | | | | | |
| | | TITLE AZ24A00-00A-PA MOTORIZED OFFSET LIFT BEAM | | | | |
| <small>THIS DOCUMENT CONTAINS DATA WHICH IS EITHER PATENTED, PATENT PENDING OR IS THE PROPERTY OF TANDEMLOC, INC. DISCLOSURE, OR COPYING WITHOUT THE WRITTEN AUTHORIZATION OF TANDEMLOC, INC. IS EXPRESSLY PROHIBITED.</small> | APPROVALS DRAWN: DAH | DATE 08-03-23 | SIZE D | CAGE CODE 65059 | DWG NO. SAZ24A00 | REV. - |
| SCALE | | SHEET 1 OF 3 | | | | |

| REV | DESCRIPTION | DATE | APPROVED |
|-----|-------------|------|----------|
| | | | |

This document contains the proprietary information of Tandemloc, Inc. and your access and use shall be, and is at all times, pursuant to and limited by the Tandemloc, Inc. Terms of Use. You shall not, and shall not encourage, assist, or authorize another party to copy, distribute, publicly display, modify, reverse engineer, decompile, or take any other action to reproduce this document or the information contained herein.

©2023 by Tandemloc, Inc. Dimensions are subject to manufacturing tolerance and change.

KEEP LIFTER AS LEVEL AS POSSIBLE DURING LIFTING.
NEVER EXCEED 3 DEGREES ANGLE OF TILT.



STANDARD OPERATION USES INDUSTRIAL WIRELESS REMOTE CONTROL WITH 100+ FT RANGE FOR CONTROL OF MOTORIZED COUNTERWEIGHT TRAVEL.

COUNTERWEIGHT TRAVEL SPEED:
APROXIMATELY 20 INCHES/MINUTE

NEMA 3R/4/12 ENCLOSURE

FOR EMERGENCY-BACKUP MANUAL COUNTERWEIGHT TRAVEL:
1 REMOVE BATTERY TO PROTECT AGAINST ACCIDENTAL START-UP OF THE MOTOR
2 INSTALL QUICK-RELEASE LOCK PIN TO LOCK OUT MOTOR ROTATION.
3 REMOVE THE TWO MOUNTING BOLTS FOR THE LEAD-SCREW LOCK PLATE.
4 USE A 1" HEX DRIVE TOOL TO TURN THE LEADSCREW AS NEEDED.

WARNING!
OPERATING IN MANUAL MODE PLACES OPERATORS IN CLOSE PROXIMITY TO THE LIFTER. CAREFUL CONSIDERATION OF POTENTIAL SUDDEN LIFTER MOVEMENT MUST BE TAKEN WHEN PERFORMING EMERGENCY MANUAL ADJUSTMENT

LiFePO4 BATTERY WITH QUICK-CONNECT POWER DOCK.
MINIMUM BATTERY REQUIREMENTS PER CHARGE:
3HR POWER ON TIME WITH 3X FULL TRAVEL OF COUNTERWEIGHT

LIFTER WILL SHIP WITH 2 BATTERIES AND A DESKTOP CHARGER.

NOTES:
1. PART NO.: AZ24A00-00A-PA, MOTORIZED OFFSET LIFT BEAM
2. WLL: 15,000 LB.
3. PROOF TESTED TO 125% (18,750 LB.) AND CERTIFIED
4. STANDARD SPECIFICATION # EAD21000A APPLIES
5. FINISH: SANDBLAST AND PRIME AND PAINT SAFETY YELLOW
6. CALCULATED WEIGHT: 9,262 LB.
7. DESIGNED AND MANUFACTURED TO MEET OR EXCEED ASME B30.20 AND BTH-1, DESIGN CATEGORY B, SERVICE CLASS 0.

**** DO NOT SIGN IF CHANGES ARE REQUIRED ****
CUSTOMER APPROVAL: _____
DATE: _____

| | | | |
|---|--|---|--|
| <input checked="" type="checkbox"/> *X* DENOTES APPLICABLE DATA UNLESS OTHERWISE NOTED, DIMENSIONS ARE IN INCHES & TOLERANCES ARE: .XX ±.06 .XXXX ±.0007 .XXX ±.03 | <input type="checkbox"/> *Y* DENOTES APPLICABLE DATA LOST WAX CASTING TOL. IS: 0 TO 4" ±.030 , 4.01" TO 7" ±.038" 7.01" TO 10.5" ±.045" OVER 10.5" ±.052" | TANDEMLOC | |
| | | TITLE AZ24A00-00A-PA MOTORIZED OFFSET LIFT BEAM | |
| THIS DOCUMENT CONTAINS DATA WHICH IS EITHER PATENTED, PATENT PENDING OR IS THE PROPERTY OF TANDEMLOC, INC. DISCLOSURE, OR COPYING WITHOUT THE WRITTEN AUTHORIZATION OF TANDEMLOC, INC. IS EXPRESSLY PROHIBITED. | APPROVALS DRAWN: DAH DATE: 08-03-23 | SIZE: D CAGE CODE: 65059 SCALE: | DWG NO.: SAZ24A00 REV.: - SHEET 2 OF 3 |

| REVISIONS | | | |
|-----------|-------------|------|----------|
| REV | DESCRIPTION | DATE | APPROVED |

This document contains the proprietary information of Tandemloc, Inc. and your access and use shall be, and is at all times, pursuant to and limited by the Tandemloc, Inc. Terms of Use. You shall not, and shall not encourage, assist, or authorize another party to copy, distribute, publicly display, modify, reverse engineer, decompile, or take any other action to reproduce this document or the information contained herein.

©2023 by Tandemloc, Inc. Dimensions are subject to manufacturing tolerance and change.

USAGE INSTRUCTIONS:

- 1- MOVE THE COUNTERWEIGHT TO UNLADEN-LIFT POSITION AS INDICATED ON THE LIFTER
- 2- SLOWLY RAISE THE LIFTER 1-2 INCHES OFF THE GROUND AND CONFIRM THAT THE COUNTERWEIGHT IS POSITIONED PROPERLY FOR A LEVEL LIFT.
- 3- CONNECT ANY BOTTOM RIGGING AS NECESSARY AND RE-ADJUST THE COUNTERWEIGHT AS NEEDED.
- 4- POSITION THE LIFTER OVER THE LOAD TO BE LIFTED AND CONNECT TO THE LOAD USING APPROPRIATE RIGGING
- 5- SLOWLY RAISE THE LIFTER UNTIL THE LOAD RIGGING BECOMES TIGHT AND THE LIFTER TILTS 1-2 DEGREES MAX. ENSURE THAT THE LOAD TO BE LIFTED IS FREE OF OBSTRUCTIONS OR BINDING DURING THE LIFT.
- 6- MOVE THE COUNTERWEIGHT AWAY FROM THE LIFTED LOAD UNTIL THE LIFTER RETURNS TO A LEVEL STATE AND THE LOAD IS SLIGHTLY LIFTED.
- 7- SLOWLY RAISE THE LIFTER, CONFIRMING THAT THE COUNTERWEIGHT IS POSITIONED PROPERLY FOR A LEVEL LIFT. STOP AND ADJUST THE COUNTERWEIGHT AS NEEDED WHILE THE LOAD IS AT A LOW HEIGHT.
- 8- MOVE THE LOAD TO ITS DESIRED LOCATION AND SLOWLY LOWER THE LIFTER UNTIL IT BEGINS TO TILT 1-2 DEGREES MAX.
- 9- MOVE THE COUNTERWEIGHT TOWARD THE LOAD UNTIL THE LIFTER RETURNS TO A LEVEL STATE.


NOTES:

1. PART NO.: AZ24A00-00A-PA, MOTORIZED OFFSET LIFT BEAM
2. WLL: 15,000 LB.
3. PROOF TESTED TO 125% (18,750 LB.) AND CERTIFIED
4. STANDARD SPECIFICATION # EAD21000A APPLIES
5. FINISH: SANDBLAST AND PRIME AND PAINT SAFETY YELLOW
6. CALCULATED WEIGHT: 9,262 LB.
7. DESIGNED AND MANUFACTURED TO MEET OR EXCEED ASME B30.20 AND BTH-1, DESIGN CATEGORY B, SERVICE CLASS 0.

**** DO NOT SIGN IF CHANGES ARE REQUIRED ****

CUSTOMER APPROVAL: _____

DATE: _____

| | | | | | |
|---|--|--|------------------|---|---------|
| <input checked="" type="checkbox"/> *X* DENOTES APPLICABLE DATA UNLESS OTHERWISE NOTED, DIMENSIONS ARE IN INCHES & TOLERANCES ARE: .XX ±.06 .XXXX ±.0007 .XXX ±.03 | | <input type="checkbox"/> *Y* DENOTES APPLICABLE DATA LOST WAX CASTING TOL. IS: 0 TO 4" ±.030 , 4.01" TO 7" ±.038" 7.01" TO 10.5" ±.045" OVER 10.5" ±.052" | |  | |
| THIS DOCUMENT CONTAINS DATA WHICH IS EITHER PATENTED, PATENT PENDING OR IS THE PROPERTY OF TANDEMLOC, INC. DISCLOSURE, OR COPYING WITHOUT THE WRITTEN AUTHORIZATION OF TANDEMLOC, INC. IS EXPRESSLY PROHIBITED. | | APPROVALS DRAWN: DAH | | DATE: 08-03-23 | |
| TITLE: AZ24A00-00A-PA MOTORIZED OFFSET LIFT BEAM | | SIZE: D | CAGE CODE: 65059 | DWG NO.: SAZ24A00 | REV.: - |
| SCALE: | | SHEET: 3 OF 3 | | | |