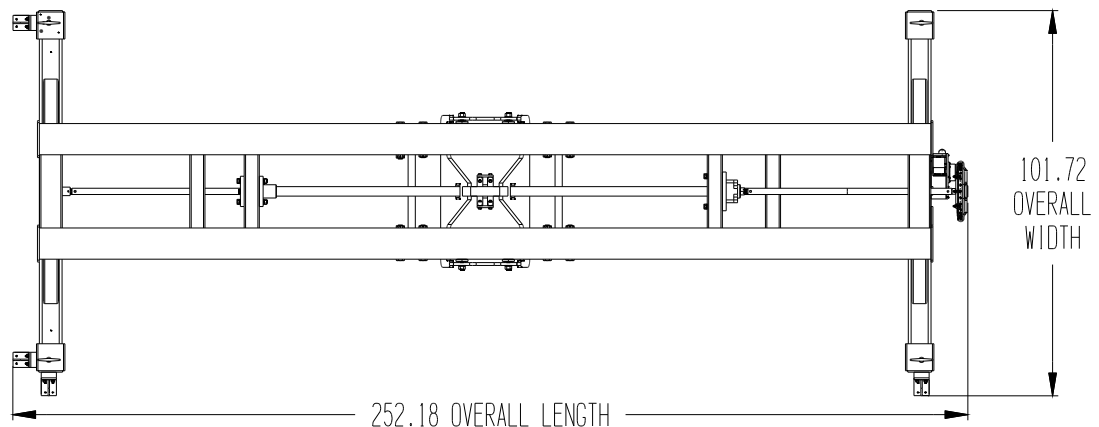
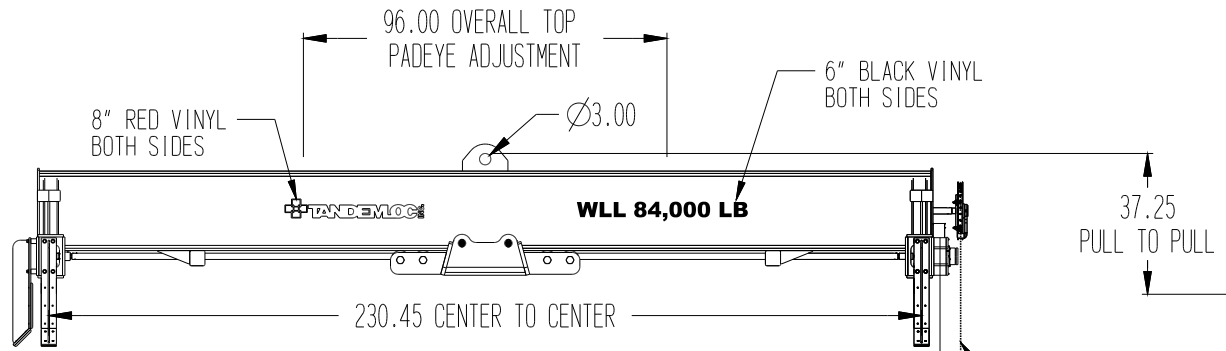


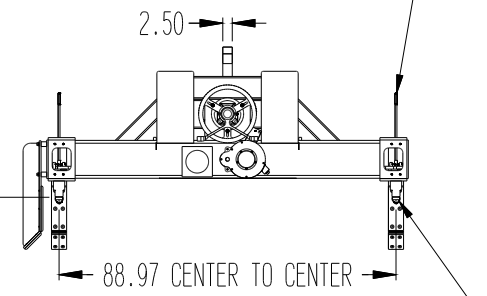
REVISIONS			
REV	DESCRIPTION	DATE	APPROVED
A	MOVED ACTUATING GEARBOX TO OTHER END	02-02-23	DAH
B	WLL 84,000 LB. WAS WLL 80,000 LB.	07-18-23	DAH



NEVER EXCEED 5 DEGREES TILT WITH LOADED LIFTER



INDICATOR FLAGS (4) DIRECTLY CONNECTED TO TWISTLOC BAYONETS TO INDICATE LOCKED OR UNLOCKED CONDITION



TO LOCK OR UNLOCK ALL FOUR BAYONETS: SIMPLY PULL ROPE TO ACTUATE. INDICATOR FLAGS WILL TURN 90°. BAYONETS WILL ALTERNATE BETWEEN LOCKED (SHOWN) AND UNLOCKED EACH PULL.

PULL CHAIN TO ROTATE LEAD-SCREW AND ADJUST TOP PAIDEYE +/- 48" FROM CENTER TO ALIGN THE LIFT CARRIAGE WITH THE LOAD CENTER OF GRAVITY (CG)

TWISTLOC BAYONET (SHOWN UN-LOCKED) DESIGNED FOR TOP APERTURE IN STANDARD ISO 1161 CORNER FITTING

**\*\* DO NOT SIGN IF CHANGES ARE REQUIRED \*\***  
 CUSTOMER APPROVAL: \_\_\_\_\_  
 DATE: \_\_\_\_\_

- NOTES:
- PART NO.: AX17C00-00A-PA, 20' ISO LOAD LEVELING MANUAL LIFT FRAME
  - WLL: 84,000 LB.
  - PROOF TESTED TO 125% (105,000 LB.) AND CERTIFIED
  - STANDARD SPECIFICATION # EAD21000A APPLIES
  - FINISH: SANDBLAST, PRIME AND PAINT SAFETY YELLOW
  - CALCULATED WEIGHT: 5,485 LB.
  - DESIGNED AND MANUFACTURED TO MEET OR EXCEED ASME B30.20 AND BTH-1, DESIGN CATEGORY B, SERVICE CLASS O.

©2023 by Tandemloc, Inc.  
 Dimensions are subject to manufacturing tolerance and change.

<small>XXX .XX ±.06 .XXXX ±.0007 .XXX ±.03</small> <small>THIS DOCUMENT CONTAINS DATA WHICH IS EITHER PATENTED, PATENT PENDING OR IS THE PROPERTY OF TANDEMLOC, INC. DISCLOSURE, OR COPYING WITHOUT THE WRITTEN AUTHORIZATION OF TANDEMLOC, INC. IS EXPRESSLY PROHIBITED.</small>	<small>1" DENOTES APPLICABLE DATA UNLESS OTHERWISE NOTED. DIMENSIONS ARE IN INCHES &amp; TOLERANCES ARE:</small> 0 TO 4" ±.030, 4.01" TO 7" ±.038" 7.01" TO 10.5" ±.045" OVER 10.5" ±.052"	
<small>APPROVALS</small> DAH	<small>DATE</small> 02-01-23	<small>TITLE</small> AX17C00-00A-PA 20' ISO LOAD LEVELING MANUAL FRAME
<small>SCALE</small>	<small>SIZE</small> D	<small>CAGE CODE</small> 65059
<small>SHEET</small> 1 OF 2	<small>DWG NO.</small> SAX17C00	<small>REV.</small> B

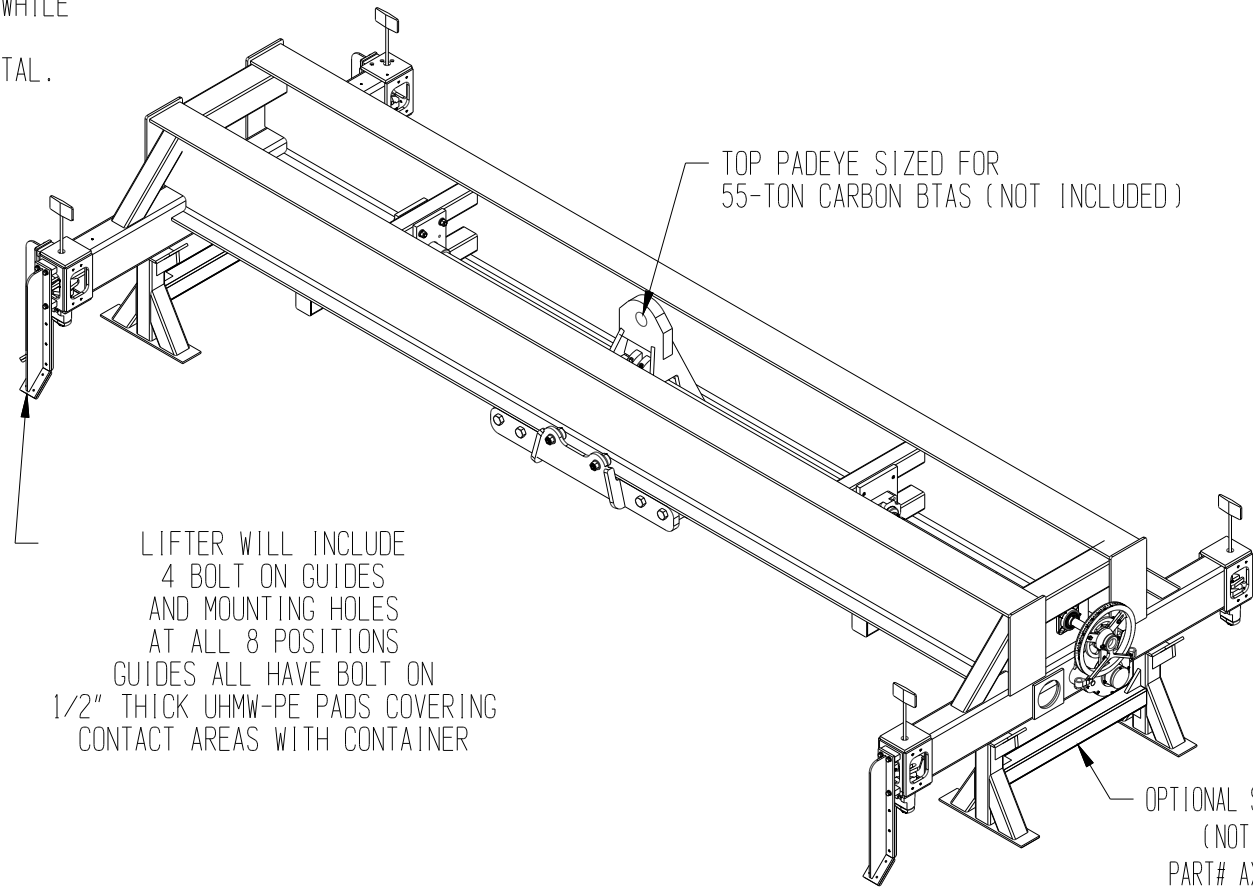
REVISIONS			
REV	DESCRIPTION	DATE	APPROVED
A	MOVED ACTUATING GEARBOX TO OTHER END	02-02-23	DAH
B	WLL 84,000 LB. WAS WLL 80,000 LB.	07-18-23	DAH

BEFORE LIFTING THE LOAD, THE CARRIAGE SHOULD BE POSITIONED OVER THE CG OF THE LOAD. MINOR ADJUSTMENTS CAN BE MADE WHILE LOADED.

CARRIAGE ADJUSTMENT SHALL NEVER BE PERFORMED WHILE THE LIFT FRAME IS LOADED WITH AN OUT-OF-LEVEL CONDITION GREATER THAN 3 DEGREES FROM HORIZONTAL.

THE ANGLE OF TILT CAN BE CONTROLLED DURING CG ADJUSTMENT BY PERFORMING ALL ADJUSTMENTS WITHIN A FEW INCHES OF THE GROUND SURFACE.

DO NOT CONTINUE TO LIFT THE LOAD UNTIL A LOW HEIGHT TEST LIFT HAS CONFIRMED PROPER LOAD LEVELING ADJUSTMENT



LIFTER WILL INCLUDE  
4 BOLT ON GUIDES  
AND MOUNTING HOLES  
AT ALL 8 POSITIONS  
GUIDES ALL HAVE BOLT ON  
1/2" THICK UHMW-PE PADS COVERING  
CONTACT AREAS WITH CONTAINER

OPTIONAL SPREADER STANDS  
(NOT INCLUDED)  
PART# AX18B00-00A-PA

NOTES:

- PART NO.: AX17C00-00A-PA, 20' ISO LOAD LEVELING MANUAL LIFT FRAME
- WLL: 84,000 LB.
- PROOF TESTED TO 125% (105,000 LB.) AND CERTIFIED
- STANDARD SPECIFICATION # EAD21000A APPLIES
- FINISH: SANDBLAST, PRIME AND PAINT SAFETY YELLOW
- CALCULATED WEIGHT: 4,585 LB.
- DESIGNED AND MANUFACTURED TO MEET OR EXCEED ASME B30.20 AND BTH-1, DESIGN CATEGORY B, SERVICE CLASS 0.

©2023 by Tandemloc, Inc.  
Dimensions are subject to manufacturing tolerance and change.

**\*\* DO NOT SIGN IF CHANGES ARE REQUIRED \*\***  
CUSTOMER APPROVAL: \_\_\_\_\_  
DATE: \_\_\_\_\_

<input checked="" type="checkbox"/> "X" DENOTES APPLICABLE DATA UNLESS OTHERWISE NOTED. DIMENSIONS ARE IN INCHES & TOLERANCES ARE: .XX ±.06 .XXX ±.0007 .XXX ±.03		<input type="checkbox"/> "Y" DENOTES APPLICABLE DATA LOST WAX CASTING TOL. IS: 0 TO 4" ±.030, 4.01" TO 7" ±.038" 7.01" TO 10.5" ±.045" OVER 10.5" ±.052"			
THIS DOCUMENT CONTAINS DATA WHICH IS EITHER PATENTED, PATENT PENDING OR IS THE PROPERTY OF TANDEMLOC, INC. DISCLOSURE, OR COPYING WITHOUT THE WRITTEN AUTHORIZATION OF TANDEMLOC, INC. IS EXPRESSLY PROHIBITED.		APPROVALS DRAWN: DAH DATE: 02-01-23		TITLE: AX17C00-00A-PA 20' ISO LOAD LEVELING MANUAL FRAME SIZE: D CASE CODE: 65059 DWG NO.: SAX17C00 SCALE: _____ SHEET 2 OF 2	