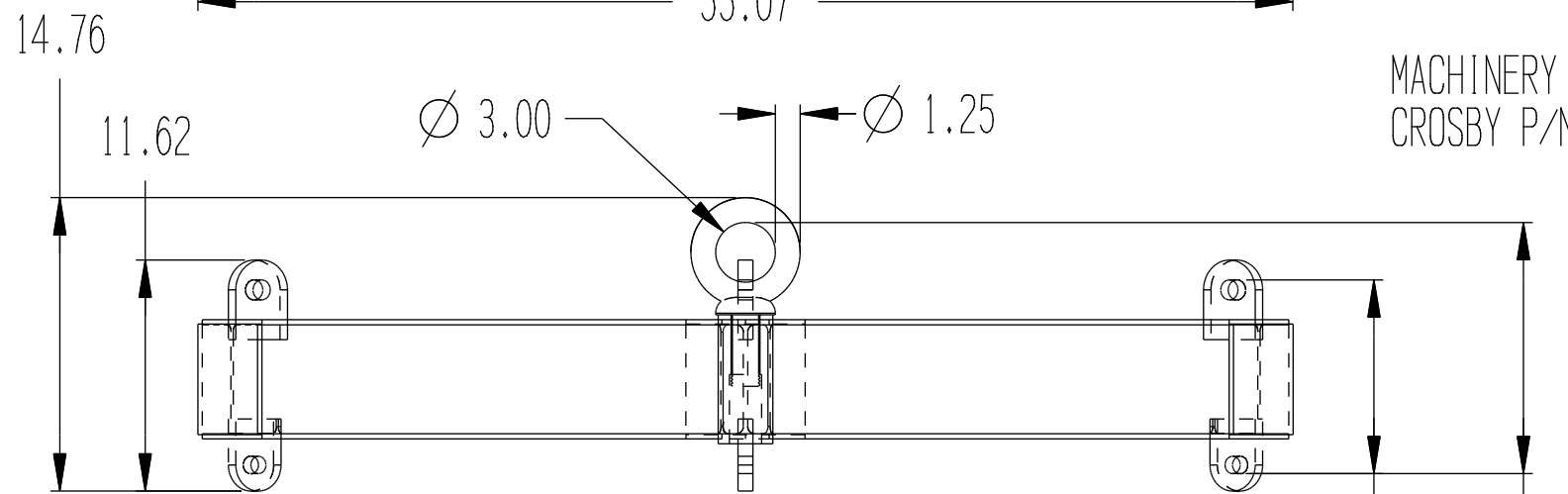
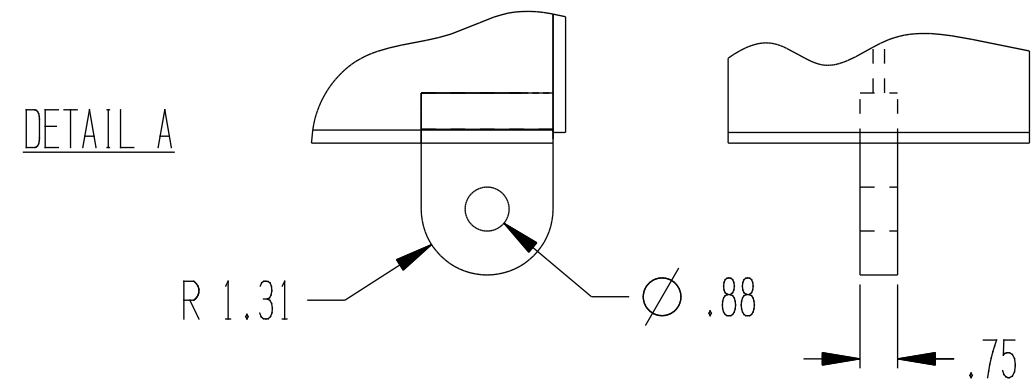
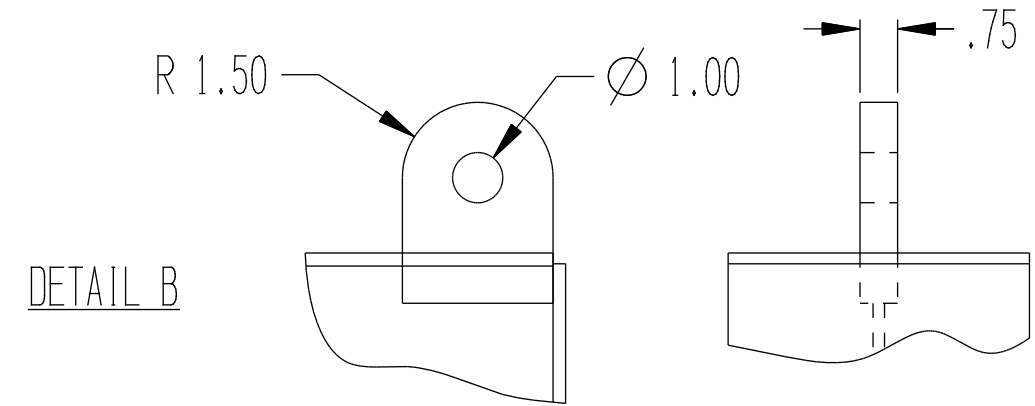
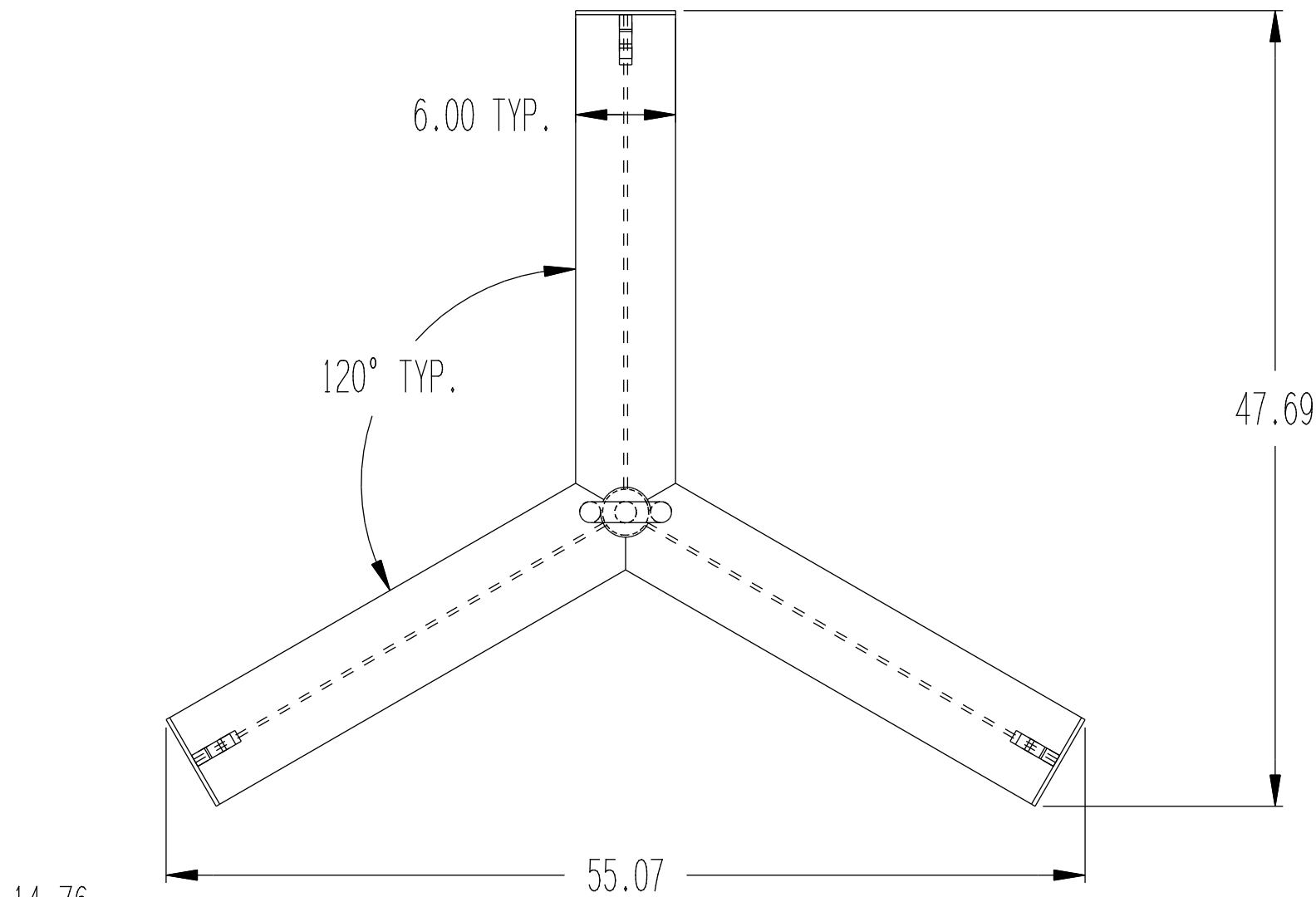
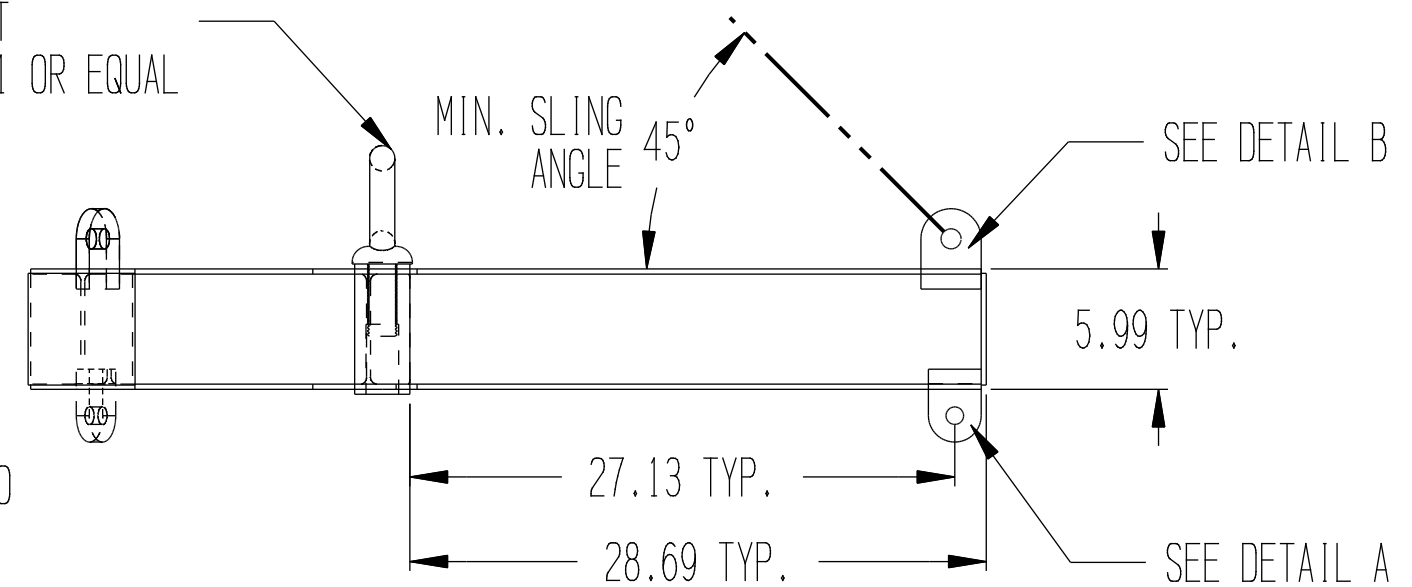


REVISIONS				DATE	APPROVED
ZONE	REV	DESCRIPTION			
-	A	ADDED TOP PADEYES		11-08-05	MRD
-	B	125% WAS 200%, 13,500 LB. WAS 21,600 LB.		09-05-18	DAH



MACHINERY EYE BOLT  
CROSBY P/N 9900271 OR EQUAL



- NOTES:
- PART NO.: AF25A00-00A-PA, THREE POINT LIFT FIXTURE
  - WLL 10,800 LB.
  - PROOF TESTED TO 125% (13,500 LB.) AND CERTIFIED
  - STANDARD SPECIFICATION # EAD21000A APPLIES
  - FINISH: SANDBLAST, PRIME AND PAINT SAFETY YELLOW
  - CALCULATED WEIGHT: 140 LB.

12.63 PULL TO PULL  
9.74 PULL TO PULL

UNLESS OTHERWISE SPECIFIED DIMENSIONS ARE IN INCHES TOLERANCES ARE:		<input type="checkbox"/> 0° TO 4" ±.030 <input type="checkbox"/> 4.01" TO 7" ±.038 <input type="checkbox"/> 7.01" TO 10.5" ±.045 <input type="checkbox"/> OVER 10.5" ±.052			
.XX ±.06 CHECK IF APPLIC.		.XXX ±.030 CHECK IF APPLIC.		TITLE THREE POINT LIFT FIXTURE	
DO NOT SCALE DRAWING		DRAWN M.R.D. 10-26-05		SIZE D CAGE CODE 65059 DWG NO. SAF25A00 REV. B	
OVER 63" ±1/1000 OF DIM.		THIS DOCUMENT CONTAINS DATA WHICH IS THE PROPERTY OF THIS COMPANY. DISCLOSURE, IN ANY MANNER WITHOUT THE WRITTEN AUTHORIZATION OF THIS COMPANY IS PROHIBITED.		SCALE	
DESIGN ACTIVITY		CALC. WT. ACT. WT.		SHEET 1 OF 1	