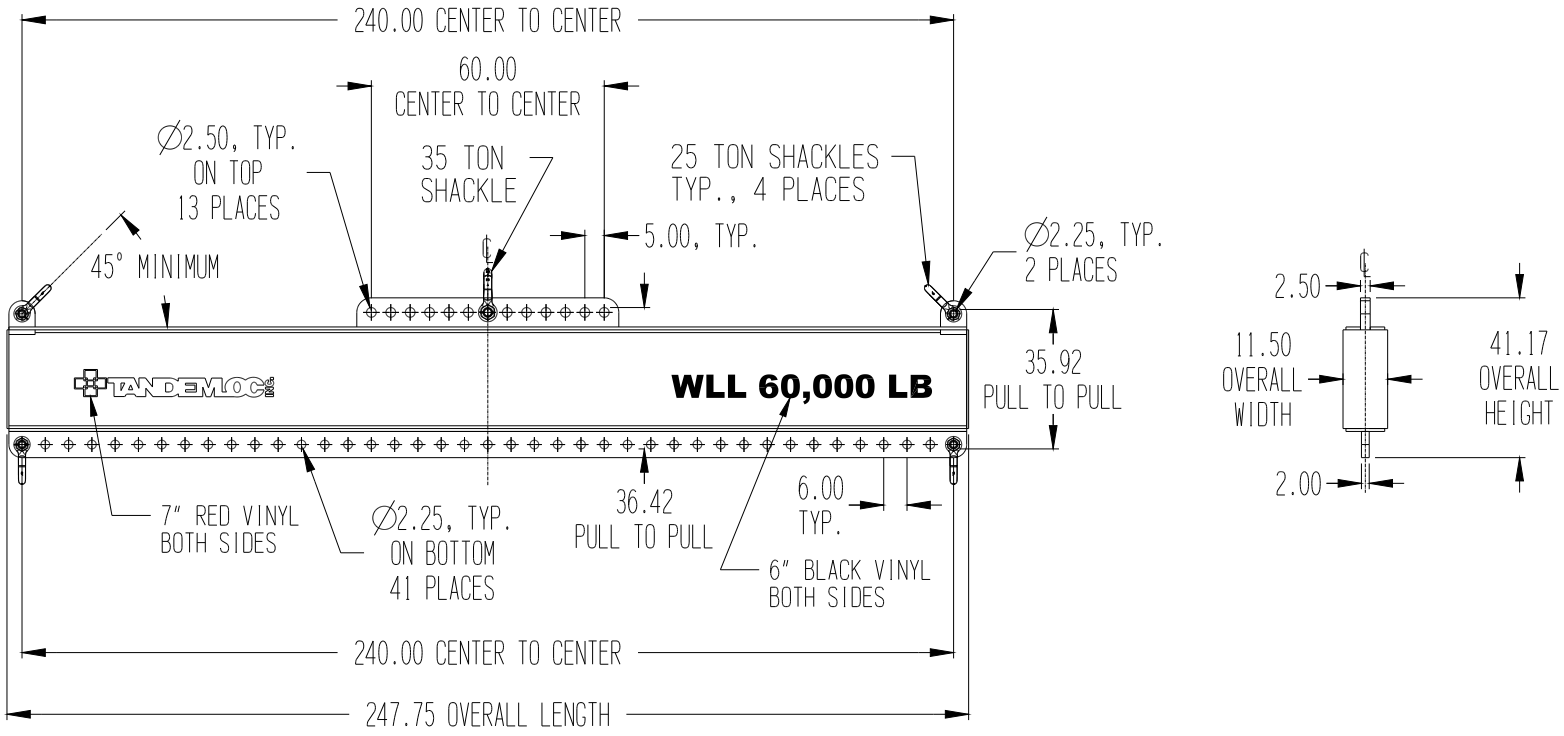


REVISIONS			
REV	DESCRIPTION	DATE	APPROVED
A	35.92 WAS 42.50, 36.42 WAS 43.00, 41.17 WAS 47.74, WEIGHT WAS 4,475 LB.	02-10-15	DAH
B	REMOVED 4" TAPED OFF WELDS, 125% WAS 200%	08-22-17	DAH

This document contains the proprietary information of Tandemloc, Inc. and your access and use shall be, and is at all times, pursuant to and limited by the Tandemloc, Inc. Terms of Use.

You shall not, and shall not encourage, assist, or authorize another party to copy, distribute, publicly display, modify, reverse engineer, decompile, or take any other action to reproduce this document or the information contained herein.

©2019 by Tandemloc, Inc.
Dimensions are subject to manufacturing tolerance and change.



- NOTES:
- PART NO.: AL50F00-00A-PA, 30 TON WLL LIFT BEAM WITH SHACKLES
AL50F00-NSA-PA, 30 TON WLL LIFT BEAM NO SHACKLES
 - WLL: 30T (60,000 LB.)
 - PROOF TESTED TO 125% (75,000 LB.) AND CERTIFIED
 - STANDARD SPECIFICATION # EAD21000A APPLIES
 - FINISH: SANDBLAST, PRIME AND PAINT SAFETY YELLOW
 - CALCULATED WEIGHT: 3,441 LB. W/ SHACKLES 3,255 LB. W/OUT SHACKLES
 - DESIGNED AND MANUFACTURED TO MEET OR EXCEED ASME B30.20 AND BTH-1, DESIGN CATEGORY B, SERVICE CLASS 0.

**** DO NOT SIGN IF CHANGES ARE REQUIRED ****
CUSTOMER APPROVAL: _____
DATE: _____

<input checked="" type="checkbox"/> "X" DENOTES APPLICABLE DATA UNLESS OTHERWISE NOTED. DIMENSIONS ARE IN INCHES & TOLERANCES ARE: .XX ±.00 .XXXX ±.0007 .XXX ±.03	<input type="checkbox"/> "Y" DENOTES APPLICABLE DATA LOST MAX CASTING TOL. IS: 0 TO 4" ±.030", 4.01" TO 7" ±.038" 7.01" TO 10.5" ±.045" OVER 10.5" ±.052"		
		TITLE AL50F00-00A-PA 30 TON WLL LIFT BEAM	
THIS DOCUMENT CONTAINS DATA WHICH IS EITHER PATENTED, PATENT PENDING OR IS THE PROPERTY OF TANDEMLOC, INC. DISCLOSURE, OR COPYING WITHOUT THE WRITTEN AUTHORIZATION OF TANDEMLOC, INC. IS EXPRESSLY PROHIBITED.		APPROVALS DRAWN DAH DATE 01-20-15	SIZE D CASE CODE 65059 SCALE
		Dwg No. SAL50F00 SHEET 1 OF 1	REV B