

REVISIONS			
REV	DESCRIPTION	DATE	APPROVED
A	35,000 LB. WAS 30,000 LB. 2,100 WAS 800	09-21-22	DAH

LONG TRANSVERSE TUBES  
FOR ADJUSTMENT FROM 12'  
TO 17' IN 6" INCR (SHOWN)  
SHORT TRANSVERSE TUBES  
FOR ADJUSTMENT FROM 8.5'  
TO 12', 6" INCR (INCLUDED,  
NOT SHOWN)

SWIVEL HOIST RINGS,  
35,000 LB. CAP.  
TYP., 4 PL  
(CHECK TORQUE OF SWIVEL  
PRIOR TO USE - 2,100 FT.LB.)

2/EA. 2 LEG WIRE ROPE BRIDLE  
WITH 2" MASTERLINK AND  
17 TON BOLT TYPE ANCHOR  
SHACKLES, (4 PL)


SLIDING PADEYE WITH QUICK  
RELEASE PINS, 12 PLACES

8 PIN AND LANYARD ASSEMBLIES  
FOR TRANSVERSE ADJUSTMENT  
AND TUBE INSTALLATION. (2 SPARE)

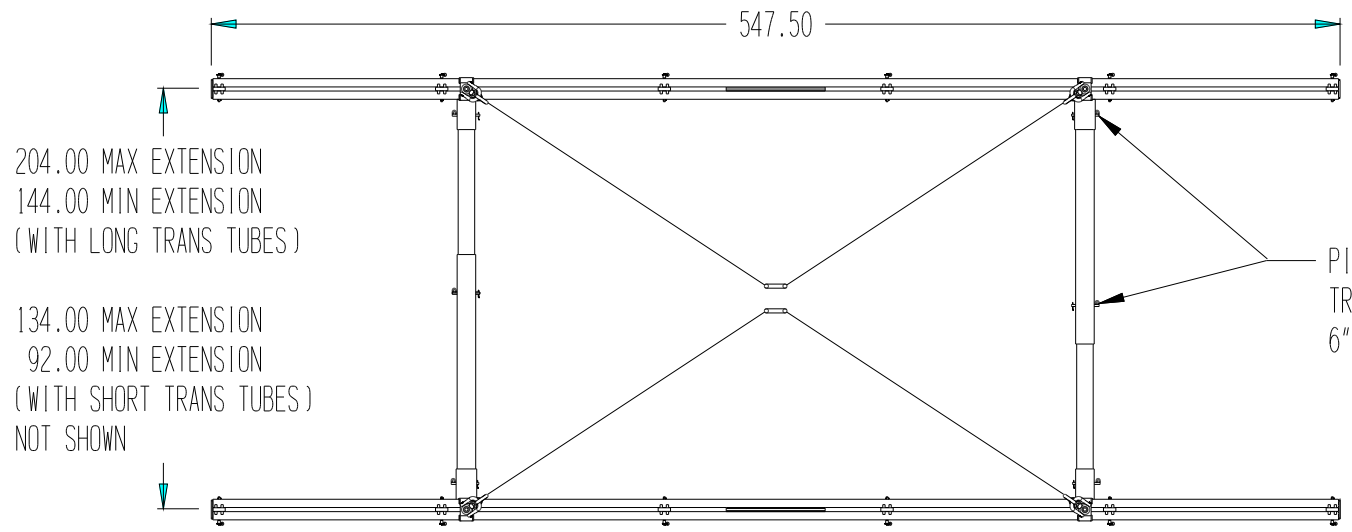
PADEYES RATED TO 10 TON  
MAX LOAD EACH. TOTAL FRAME  
RATED AT 40 TON MAX LOAD  
(20 TON MAX LOAD EACH SIDE)

NOTES:

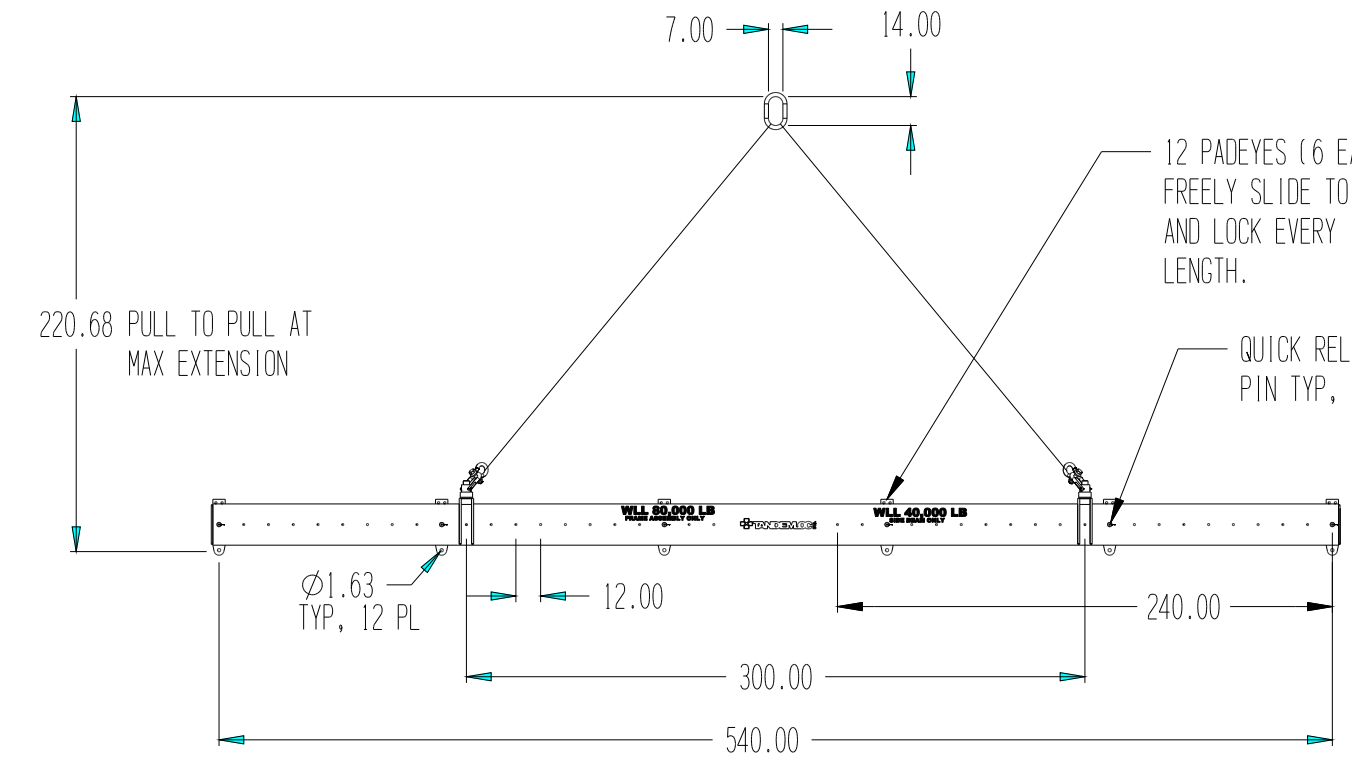
1. P/N: AD37000B-1PA, ADJUSTABLE FRAME WITH SLING
2. WLL: 40 TONS
3. PROOF TESTED TO 125% (100,000 LB.) AND CERTIFIED
4. DESIGNED AND MANUFACTURED TO MEET OR EXCEED ASME B30.20
5. CALCULATED WEIGHT: 17,675 LB. (FRAME WITH LONG TRANS TUBES)  
520 LB. (SLING ASSEMBLY)
6. FINISH: SANDBLAST, PRIME AND PAINT SAFETY YELLOW

UNLESS OTHERWISE SPECIFIED DIMENSIONS ARE IN INCHES TOLERANCES ARE: FRACTIONS DECIMALS ± .006 ± .003 ± .001 ± DO NOT SCALE DRAWING		CONTRACT NO.		 <b>ADJUSTABLE FRAME</b> <b>ISO VIEW</b>			
THIS DOCUMENT CONTAINS INFORMATION WHICH IS THE PROPERTY OF THIS COMPANY. DISCLOSURE, IN ANY MANNER, WITHOUT THE WRITTEN AUTHORIZATION OF THIS COMPANY IS EXPRESSLY PROHIBITED.		APPROVALS	DATE			SIZE	CAGE CODE
NEXT ASSY		DRAWN DAH		D		65059	A
USED ON		04-27-09		SAD37000B		SHEET 2 OF 2	
APPLICATION		ENGR		SCALE		CALC WT ACT WT	

REVISIONS			
REV	DESCRIPTION	DATE	APPROVED
A	35,000 LB. WAS 30,000 LB., 2,100 WAS 800	09-21-22	DAH



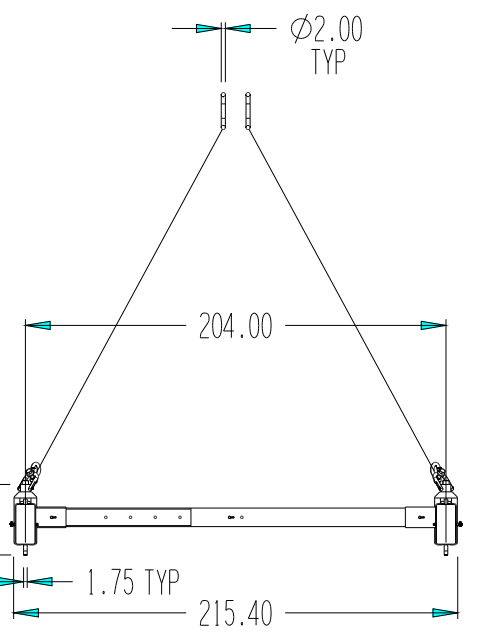
PIN AND LANYARD ASSEMBLY FOR TRANSVERSE ADJUSTMENT IN 6" INCREMENTS. ALSO FOR TUBE CHANGE.



12 PADEYES (6 EACH SIDE) FREELY SLIDE TO ANY POSITION AND LOCK EVERY 12" ALONG 20' LENGTH.

QUICK RELEASE PIN TYP, 12 PL

UNLESS OTHERWISE SPECIFIED DIMENSIONS ARE IN INCHES  
TOLERANCES ARE:  
FRACTIONS DECIMALS  
± .005 ± .005  
DO NOT SCALE DRAWING



NEXT ASSY	USED ON

CONTRACT NO.		TITLE		REV	
APPROVALS	DATE	ADJUSTABLE FRAME		A	
DRAWN DAH	04-27-09	45' X 17' 40T WLL			
CHECKED		SIZE	CAGE CODE	DWG NO.	
ENGR		D	65059	SAD37000B	
DESIGN ACTIVITY		SCALE		CALC WT	ACT WT
					SHEET 1 OF 2

