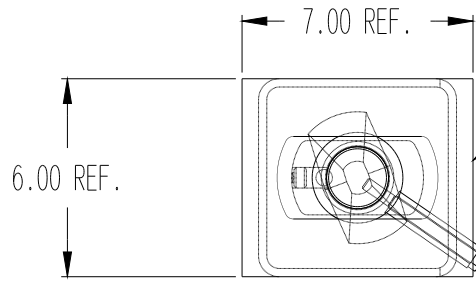


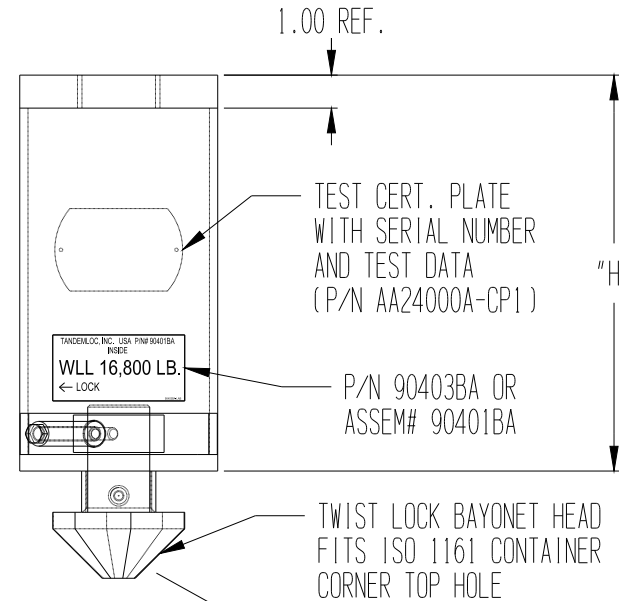
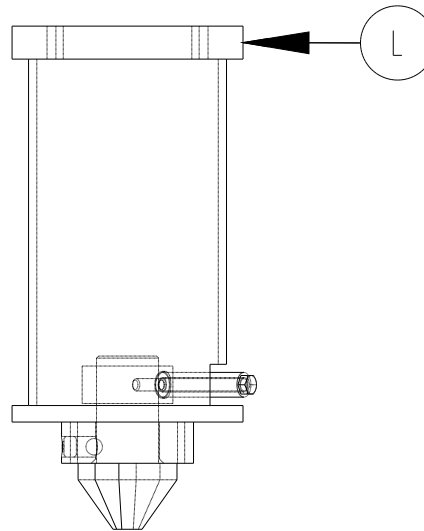
REVISIONS				
ZONE	REV	DESCRIPTION	DATE	APPROVED
	A	ADDED -BPA & -CPA	05-22-01	MD
	B	UPGRADED DWG AND COMPONENTS	02-18-04	MD
	C	ADDED NOTE *P/N90403BA OR ASSEM.#90401BA	03-01-04	MD
	D	REVISED BAYONET, REVISED MAX HERIZ. LOAD, SAFETY FACTOR WAS 5:1 TO ULTIMATE. ADDED TYP USE W/ CONTAINERS	04-15-05	MRO



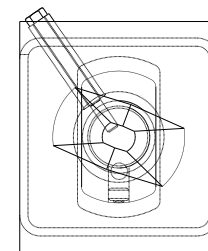
HOLE IN TOP PLATE IS THE SAME SIZE AS HOLE IN TOP ISO CORNER FITTING*. USE FOR LIFTING WITH STANDARD SPREADER OR FOR TWIST LOCK FITTING TO STACK & SECURE ANOTHER CONTAINER.
(* THICKNESS IS LESS)

NOTES:

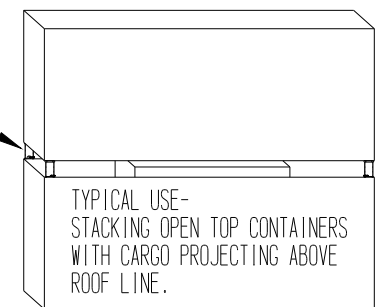
1. LIFT WORK LOAD LIMIT IS 7.5 L.T. (16,800 LB.) @ 3:1 SAFETY FACTOR TO YIELD. CONFORMS TO ANSI B30.26
2. EACH ASSEMBLY IS PROOF-TESTED TO TWO TIMES WORK LOAD LIMIT (2 X WLL) AND CERTIFIED.
3. UNIFORM COMPRESSION STRENGTH RATING @ SAFETY FACTOR OF 1.8 TO ULT. IS 118,000 LB. HORIZONTAL STRENGTH RATING IS IN CHART.(L)
4. MATERIAL IS STEEL PAINTED YELLOW.
5. DIMENSIONS ARE SUBJECT TO MANUFACTURING TOLERANCES.



LOCKED ↔ UNLOCKED



BOTTOM VIEW LOCKED



ORDER NUMBER	"H" ±0.13	WEIGHT EACH	OLD NUMBER	MAXIMUM HORIZONTAL FORCE EACH (SEE NOTE 3) (L)
90401BA-BPA	6"	31.00 LB.	N/A	12,000 LB.
90401BA-CPA	10"	36.00 LB.	N/A	9,333 LB.
90401BA-1PA	12"	40.00 LB.	79004-1A-12	8,000 LB.
90401BA-APA	18"	49.00 LB.	79004-1A-18	5,333 LB.
90401BA-2PA	24"	58.00 LB.	79004-1A-24	4,000 LB.
90401BA-3PA	36"	67.00 LB.	79004-1A-36	2,667 LB.
90401BA-4PA	48"	88.00 LB.	N/A	2,000 LB.
90401BA-5PA	60"	115.00 LB.	79004-1A-60	1,667 LB.

UNLESS OTHERWISE SPECIFIED DIMENSIONS ARE IN INCHES		<input type="checkbox"/> LOST MAX CASTING TOL. IS: 0" TO 4" ±.030 4.01" TO 7" ±.038 7.01" TO 10.5" ±.045 OVER 10.5" ±0.52			
TOLERANCES ARE: .XX ±.06 CHECK IF APPLIC. .XXX ±.03 DO NOT SCALE DRAWING		<input type="checkbox"/> CHECK IF APPLIC.			
THIS DOCUMENT CONTAINS INFORMATION WHICH IS THE PROPERTY OF THIS COMPANY. DISCLOSE, IN ANY MANNER, WITHOUT THE WRITTEN AUTHORIZATION OF THIS COMPANY IS EXPRESSLY PROHIBITED.				DRAWN MD CHECKED ENGR DESIGN ACTIVITY	01-17-01 SCALE
90401BA TYPE HEIGHT EXTENDER ASSEMBLIES		SIZE D CASE CODE 65059	DWG NO. S90401BA	REV. D	SHEET 1 OF 1