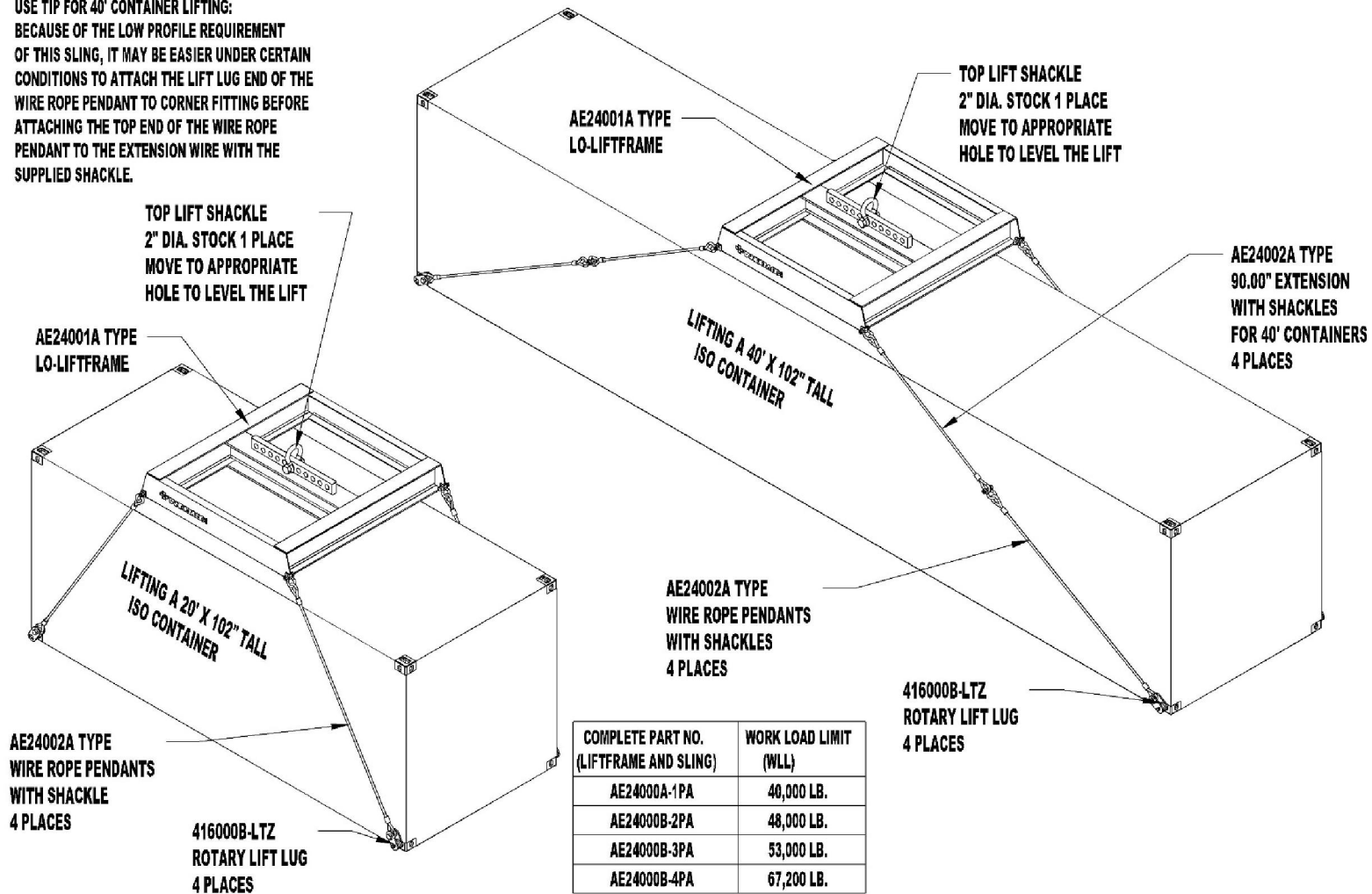


# LO-LIFTFRAME FOR 20'/40' ISO CONTAINERS (AE24000A/B)

Cage Code: 65059 | Drawing No: SAE24000B | Revision: C | Sheet: 1 of 2

UNLESS OTHERWISE SPECIFIED, DIMENSIONS ARE IN INCHES

USE TIP FOR 40' CONTAINER LIFTING:  
BECAUSE OF THE LOW PROFILE REQUIREMENT OF THIS SLING, IT MAY BE EASIER UNDER CERTAIN CONDITIONS TO ATTACH THE LIFT LUG END OF THE WIRE ROPE PENDANT TO CORNER FITTING BEFORE ATTACHING THE TOP END OF THE WIRE ROPE PENDANT TO THE EXTENSION WIRE WITH THE SUPPLIED SHACKLE.



COMPLETE PART NO. (LIFTFRAME AND SLING)	WORK LOAD LIMIT (WLL)
AE24000A-1PA	40,000 LB.
AE24000B-2PA	48,000 LB.
AE24000B-3PA	53,000 LB.
AE24000B-4PA	67,200 LB.

To avoid lifter failure, potential death and property damage, never exceed WLL (Working Load Limit).

This document contains the proprietary information of Tandemloc, Inc. and your access and use shall be, and is at all times, pursuant to and limited by the Tandemloc, Inc. Terms of Use.

You shall not, and shall not encourage, assist, or authorize another party to copy, distribute, publicly display, modify, reverse engineer, decompile, or take any other action to reproduce this document or the information contained herein. © Copyright 2014 by Tandemloc, Inc.

Dimensions are subject to manufacturing tolerance and change.



Email: [info@tandemloc.com](mailto:info@tandemloc.com) • [www.tandemloc.com](http://www.tandemloc.com)

824 Highway 101 • Havelock, NC 28532

Tel: 1.800.258.7324 (252.447.7155)

FAX 1.800.892.3273 (252.447.5502)

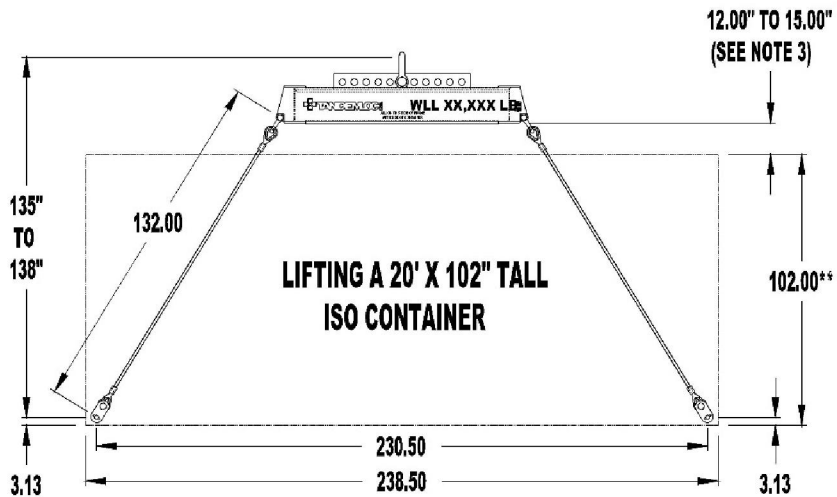
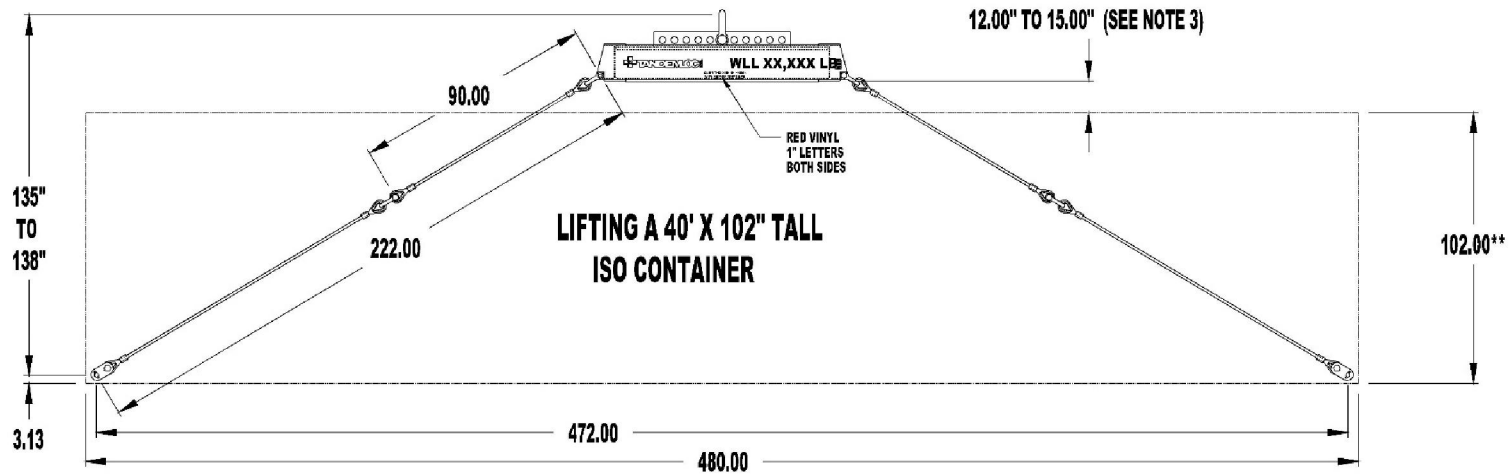
Tandemloc, Inc. designs, manufactures and tests lifting, securing and mobilizing components for all industries. See our website for details and important safety information.

Read all safety labels and instructions prior to use. Product to be used by qualified personnel only.

# LO-LIFTFRAME FOR 20'/40' ISO CONTAINERS (AE24000A/B)

Cage Code: 65059 | Drawing No: SAE24000B | Revision: C | Sheet: 2 of 2

UNLESS OTHERWISE SPECIFIED, DIMENSIONS ARE IN INCHES



### NOTES:

1. STANDARD TANDEMLOC SPECIFICATION EAD21000A APPLIES.
2. SLING IS FOR LIFTING 20 FT. OR 40 FT. ISO TYPE 1 CONTAINERS UP TO 8'-6" HIGH AND CONFORMS TO ISO 3874 HANDLING & SECURING. FOR LIFTING 20 FOOTERS, USE THE 132" PENDANT WHICH INCLUDES A SHACKLE AT THE TOP AND A ROTARY LIFT LUG AT THE BOTTOM. FOR LIFTING A 40 FOOTER, ADD FOUR 90" LONG EXTENSION PENDANTS (WHICH INCLUDES A SHACKLE FOR THE LIFT FRAME) TO EXTEND THE 132" PENDANTS TO 222".
3. A 12.00" MINIMUM SPACE IS REQUIRED FOR SLACK TO ATTACH IN BOTTOM CORNER FITTING SIDE HOLES
4. MANUFACTURING TOLERANCES APPLY

PART NO.	TOTAL WEIGHT (LIFTFRAME & SLING)	WORK LOAD LIMIT (WLL)
AE24000A-1PA	2,735 LB.	40,000 LB.
AE24000B-2PA	2,690 LB.	48,000 LB.
AE24000B-3PA	2,715 LB.	53,000 LB.
AE24000B-4PA	2,885 LB.	67,200 LB.

\*\* A LONGER PENDANT IS REQUIRED FOR CONTAINERS OVER 102" TALL

To avoid lifter failure, potential death and property damage, never exceed WLL (Working Load Limit).

This document contains the proprietary information of Tandemloc, Inc. and your access and use shall be, and is at all times, pursuant to and limited by the Tandemloc, Inc. Terms of Use.

You shall not, and shall not encourage, assist, or authorize another party to copy, distribute, publicly display, modify, reverse engineer, decompile, or take any other action to reproduce this document or the information contained herein. © Copyright 2014 by Tandemloc, Inc.

Dimensions are subject to manufacturing tolerance and change.



Email: [info@tandemloc.com](mailto:info@tandemloc.com) • [www.tandemloc.com](http://www.tandemloc.com)

824 Highway 101 • Havelock, NC 28532

Tel: 1.800.258.7324 (252.447.7155)

FAX 1.800.892.3273 (252.447.5502)

Tandemloc, Inc. designs, manufactures and tests lifting, securing and mobilizing components for all industries. See our website for details and important safety information.

Read all safety labels and instructions prior to use. Product to be used by qualified personnel only.