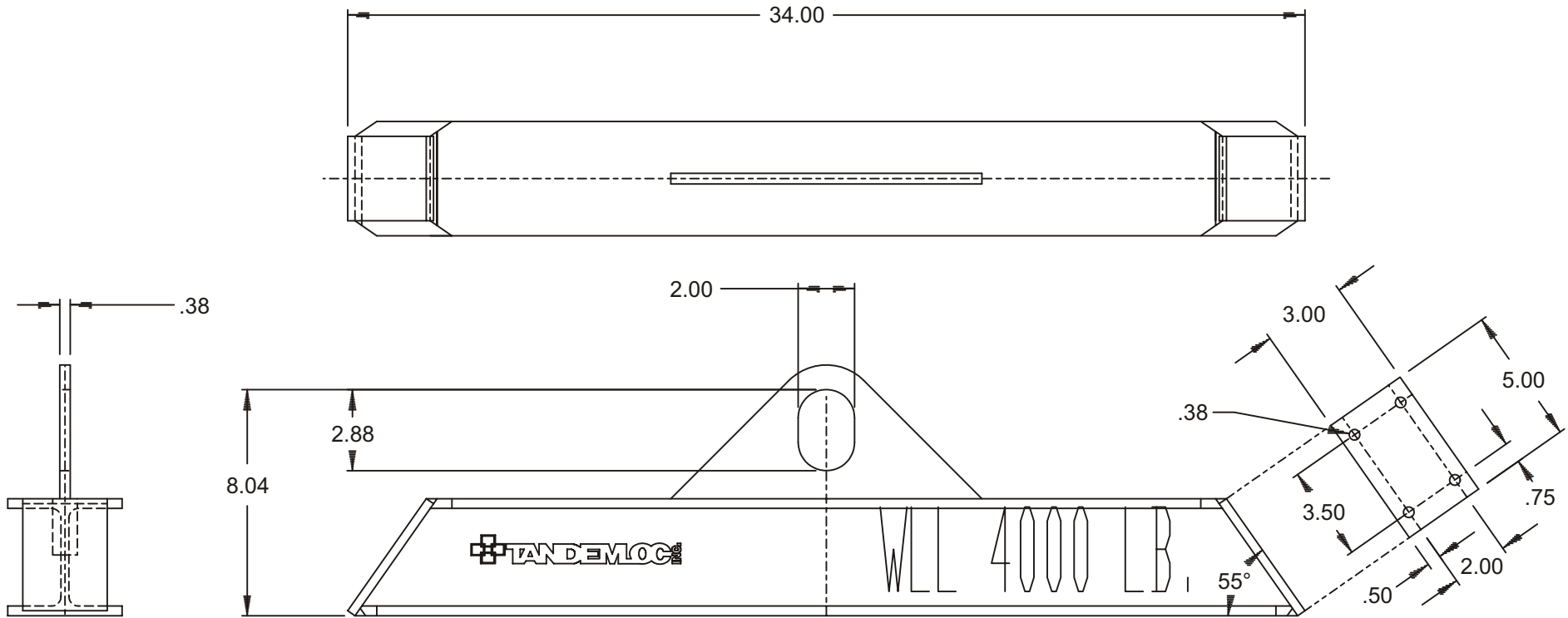


LIFT BEAM WITH BEVEL ENDS, WLL: 4000 LB. (AE08000A-1PA)

Cage Code: 65059 | Drawing No: SAE08000A | Revision: B | Sheet: 1 of 1

UNLESS OTHERWISE SPECIFIED, DIMENSIONS ARE IN INCHES
SEE ELECTRONIC PARTS LIST FOR BILL OF MATERIALS
DO NOT SCALE DRAWING



TYP. END PLATE
WITH HOLES FOR
MOUNTING PAD

NOTE:

1. STANDARD SPECIFICATIONS FOR TANDEMLOC BELOW THE HOOK LIFTING DEVICES APPLY, #EAD21000A.
2. PROOF TESTED TO WLL X 125% & CERTIFIED
3. WEIGHT: 39 LB.
4. ALL DIMENSIONS ARE SUBJECT TO MANUFACTURING TOLERANCES.
5. MATERIAL IS STEEL, PAINTED SAFETY YELLOW.

		REVISIONS	
REV	DESCRIPTION	DATE	APPROVED
A	34.00 WAS 35.75	04-20-04	MD
B	TOP EYE WAS ROUND BAR, TOP ANGLE GUIDES DEL.	06-24-04	MD

To avoid lifter failure, potential death and property damage, never exceed WLL (Working Load Limit)

This document contains the proprietary information of Tandemloc, Inc. and your access and use shall be, and is at all times, pursuant to and limited by the Tandemloc, Inc. Terms of Use.

You shall not, and shall not encourage, assist, or authorize another party to copy, distribute, publically display, modify, reverse engineer, decompile, or take any other action to reproduce or replicate this document or the information contained herein. © Copyright 2012 by Tandemloc, Inc.

Dimensions are subject to manufacturing tolerance and change.



Email: info@tandemloc.com • www.tandemloc.com
824 Highway 101 • Havelock, NC 28532
TEL: 1.800.258.7324 (252.447.7155)
FAX: 1.800.892.3273 (252.447.5502)

Tandemloc designs, manufactures and tests lifting, securing and mobilizing components for all industries. See our website for details and important safety information.
Read all safety labels and instructions prior to use. Product to be used by qualified personnel only.