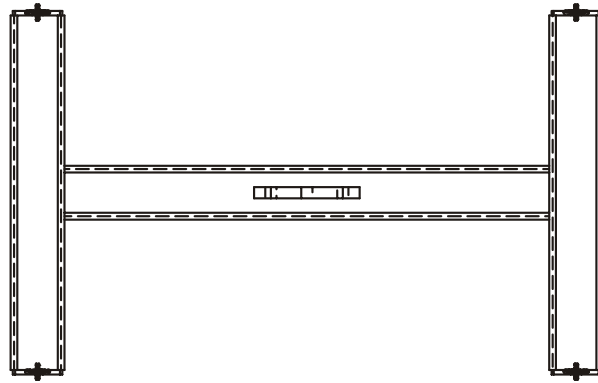


"H" STYLE LIFT BEAM, 5 TON, 60" X 40" (AA33000A-1PA)

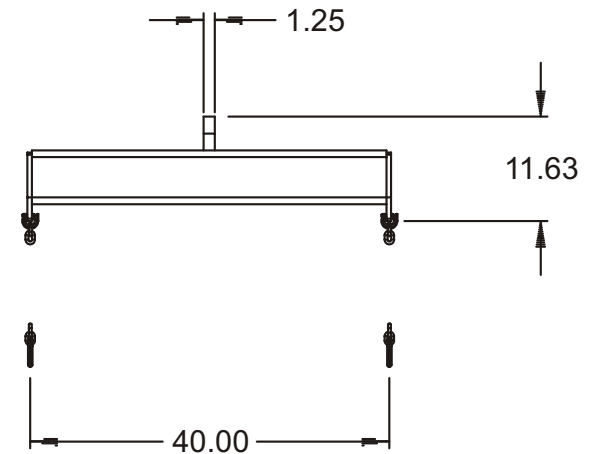
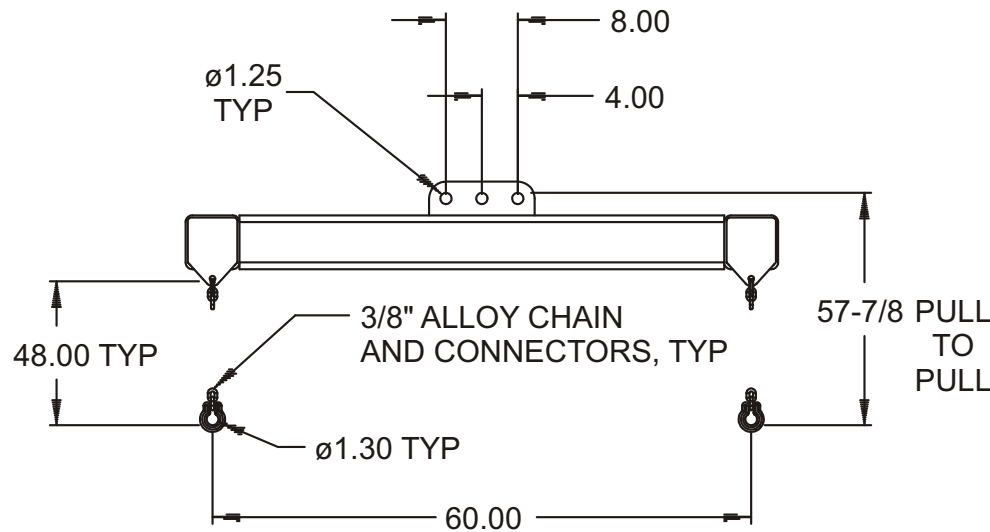
Cage Code: 65059 | Drawing No: MAA33000A | Revision: A | Sheet: 1 of 1

UNLESS OTHERWISE SPECIFIED, DIMENSIONS ARE IN INCHES
DO NOT SCALE DRAWING



NOTE:

1. P/N: AA33000A-1PA, H FRAME SPREADER WITH ALLOY CHAIN SLINGS
2. WLL: 5 TONS (10,000 LB)
3. PROOF TESTED TO 125% (12,500 LB) AND CERTIFIED
4. FINISH: SANDBLAST, PRIME AND PAINT SAFETY YELLOW (STEEL FRAME)
5. CALCULATED WEIGHT: 350 LB (FRAME ONLY)
7 LB (SLING/EA.)



CUSTOMER APPROVAL: _____

DATE: _____

DANGER: Never Exceed WLL (Working Load Limit)

This document contains data which is either patented, patent pending or is the property of Tandemloc, Inc.

Disclosure, or copying without the written authorization of Tandemloc, Inc. is expressly prohibited. © Copyright 2010 by Tandemloc, Inc.

Dimensions are subject to manufacturing tolerance and change.

		REVISIONS	
REV	DESCRIPTION	DATE	APPROVED
A	SWAPPED 60" AND 40" DIMENSIONS, INCREASED TUBE SIZE	06/05/00	W.D.D.



Email: info@tandemloc.com • www.tandemloc.com
 PO Box 279 • 824 Highway 101 • Havelock, NC 28532-0279
 TEL: 1.800.258.7324 (252.447.7155)
 FAX: 1.800.892.3273 (252.447.5502)

Tandemloc designs, manufactures and tests lifting, securing and mobilizing components for all industries. See our website for details and important safety information.

Tandemloc is a member of:

