

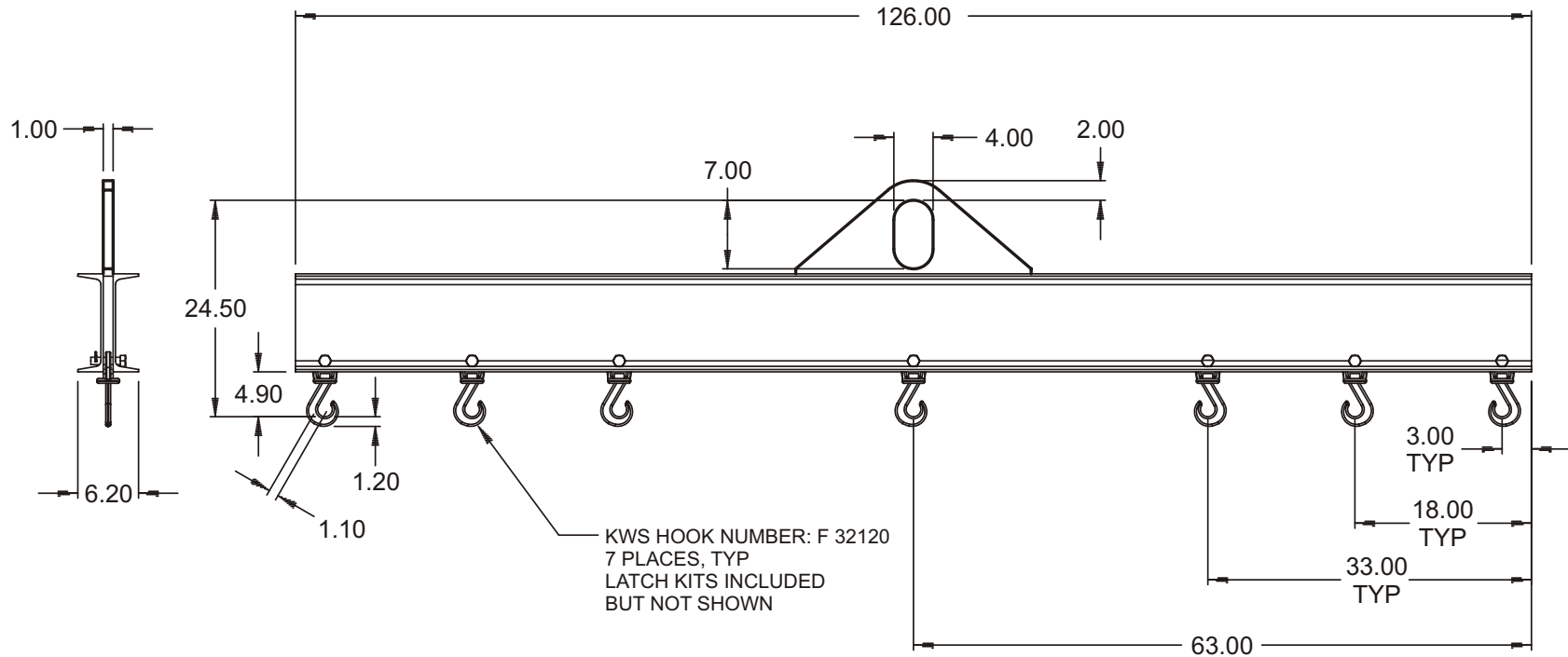
# LIFT BEAM WITH HOOKS, 5 TON, 126" (AA14000A-1PA)

Cage Code: 65059 | Drawing No: SAA14000A | Revision: -- | Sheet: 1 of 1

UNLESS OTHERWISE SPECIFIED, DIMENSIONS ARE IN INCHES

CUSTOMER APPROVAL: \_\_\_\_\_

DATE: \_\_\_\_\_



## NOTES:NOTES:

1. P/N: AA14000A-1PA, LIFT BEAM, WITH HOOKS
2. WLL: 5 TONS (PER TWO HOOKS, MIN)
3. PROOF TESTED TO 125% (12,500 LB) AND CERTIFIED
4. FINISH: SANDBLAST, PRIME AND PAINT SAFETY YELLOW (BEAM)
5. CALCULATED WEIGHT: 410 LB (INCLUDING HOOKS)

**DANGER:** Never Exceed WLL (Working Load Limit)

This document contains data which is either patented, patent pending or is the property of Tandemloc, Inc.

Disclosure, or copying without the written authorization of Tandemloc, Inc. is expressly prohibited. © Copyright 2010 by Tandemloc, Inc.

Dimensions are subject to manufacturing tolerance and change.



Email: [info@tandemloc.com](mailto:info@tandemloc.com) • [www.tandemloc.com](http://www.tandemloc.com)  
PO Box 279 • 824 Highway 101 • Havelock, NC 28532-0279

TEL: 1.800.258.7324 (252.447.7155)  
FAX: 1.800.892.3273 (252.447.5502)

Tandemloc designs, manufactures and tests lifting, securing and mobilizing components for all industries. See our website for details and important safety information.

Tandemloc is a member of:

