

RECESSED BASE MBS 46,000 LB. (9202-R46 & 9202-RS26)

Cage Code: 65059 | Drawing No: S9202 | Revision: B | Sheet: 1 of 1

UNLESS OTHERWISE SPECIFIED, DIMENSIONS ARE IN INCHES
DO NOT SCALE DRAWING

TOLERANCES ARE:

.XX ±.06

.XXX ±.030

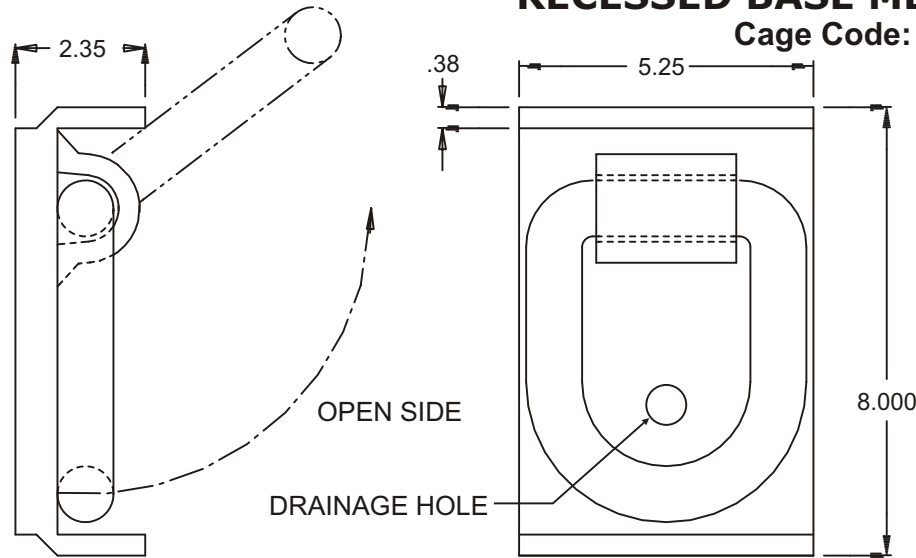
LOST WAX CASTING TOL. IS:

0" TO 4" ±.030

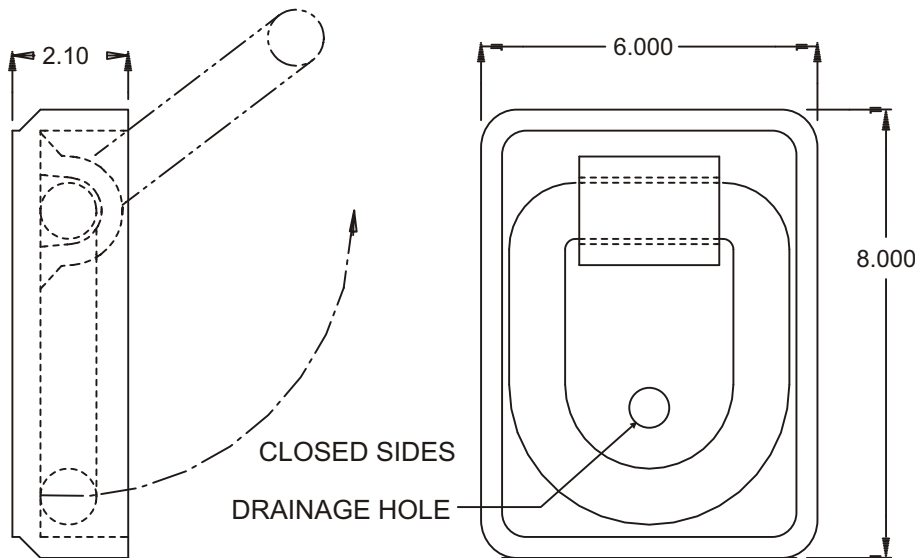
4.01" TO 7" ±.038

7.01 TO 10.5" ±.045

OVER 10.5" ±.052



PART NUMBER: 9202-R46-0 OPEN SIDED RECESSED D-RING.
FINISH: SELF COLORED
WEIGHT: 15 LB.



PART NUMBER: 9202-R46-F FULLY RECESSED D-RING.
FINISH: SELF COLORED
WEIGHT: 15 LB.

REVISIONS				
REV	DESCRIPTION	DATE	APPROVED	
A	THIS WAS SHEET 2 OF 3 DWG. S9202	2/15/05	MD	
B	ADDED DRAINAGE HOLE	4/3/09	DAH	

To avoid lifter failure, potential death and property damage, never exceed WLL (Working Load Limit)

This document contains the proprietary information of Tandemloc, Inc. and your access and use shall be, and is at all times, pursuant to and limited by the Tandemloc, Inc. Terms of Use.

You shall not, and shall not encourage, assist, or authorize another party to copy, distribute, publically display, modify, reverse engineer, decompile, or take any other action to reproduce or replicate this document or the information contained herein. © Copyright 2012 by Tandemloc, Inc.

Dimensions are subject to manufacturing tolerance and change.



Email: info@tandemloc.com • www.tandemloc.com

824 Highway 101 • Havelock, NC 28532

TEL: 1.800.258.7324 (252.447.7155)

FAX: 1.800.892.3273 (252.447.5502)

Tandemloc designs, manufactures and tests lifting, securing and mobilizing components for all industries. See our website for details and important safety information.

Read all safety labels and instructions prior to use. Product to be used by qualified personnel only.