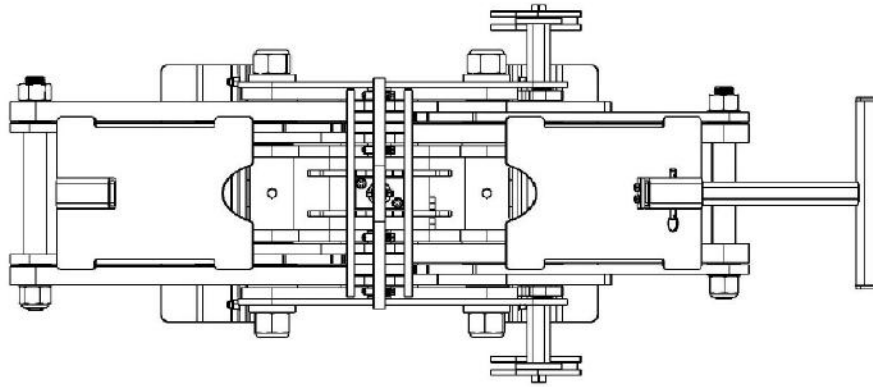


# 6"-12" WIDE (TOP SURFACE) CONCRETE BARRIER GRAB, WLL 16,500 LB. (AS23B00-165-PA)

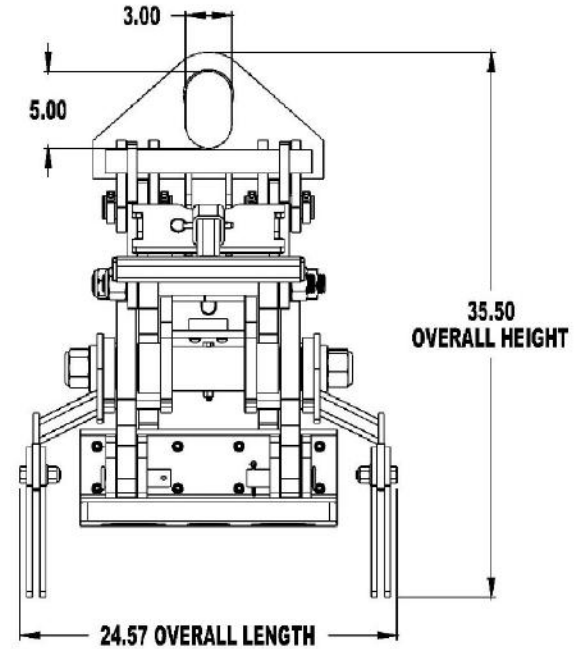
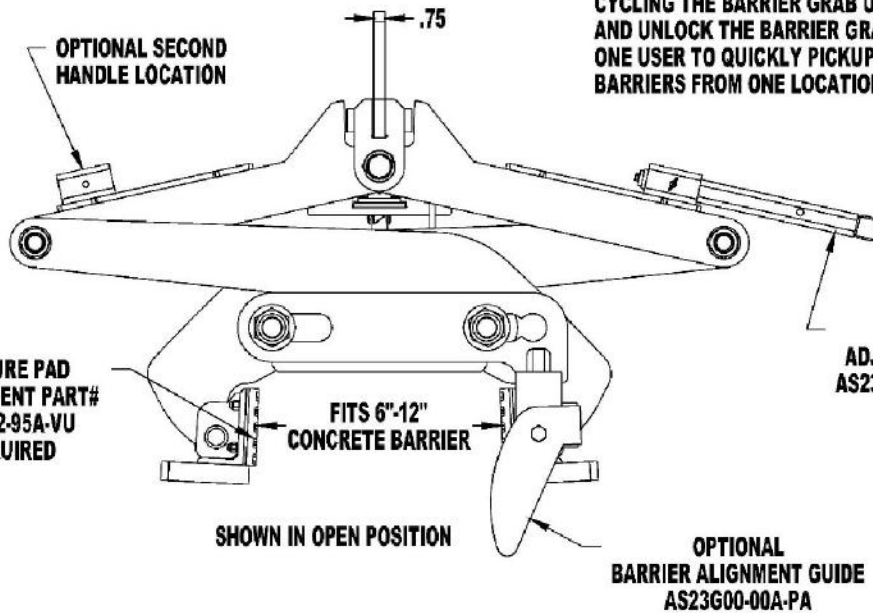
Cage Code: 65059 | Drawing No: SAS23B00-165-PA | Revision: - | Sheet: 1 of 3

UNLESS OTHERWISE SPECIFIED, DIMENSIONS ARE IN INCHES



**NOTES:**

1. PART NO.: AS23B00-165-PA, 6"-12" WIDE (TOP SURFACE) CONCRETE BARRIER GRAB
2. WLL: 16,500 LB.
3. PROOF TESTED TO 125% (20,625 LB.) AND CERTIFIED
4. STANDARD SPECIFICATION # EAD21000A APPLIES
5. FINISH: SANDBLAST, PRIME AND PAINT SAFETY YELLOW
6. CALCULATED WEIGHT: 680 LB.
7. DESIGNED AND MANUFACTURED TO MEET OR EXCEED ASME B30.20 AND BTH-1, DESIGN CATEGORY B, SERVICE CLASS 3.



To avoid lifter failure, potential death and property damage, never exceed WLL (Working Load Limit).

This document contains the proprietary information of Tandemloc, Inc. and your access and use shall be, and is at all times, pursuant to and limited by the Tandemloc, Inc. Terms of Use.

You shall not, and shall not encourage, assist, or authorize another party to copy, distribute, publicly display, modify, reverse engineer, decompile, or take any other action to reproduce this document or the information contained herein. © Copyright 2014 by Tandemloc, Inc.

Dimensions are subject to manufacturing tolerance and change.



Email: [info@tandemloc.com](mailto:info@tandemloc.com) • [www.tandemloc.com](http://www.tandemloc.com)

824 Highway 101 • Havelock, NC 28532

Tel: 1.800.258.7324 (252.447.7155)

FAX 1.800.892.3273 (252.447.5502)

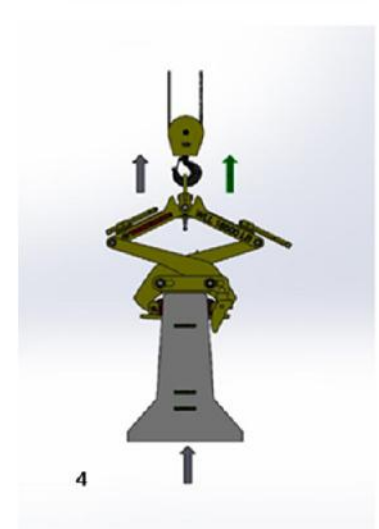
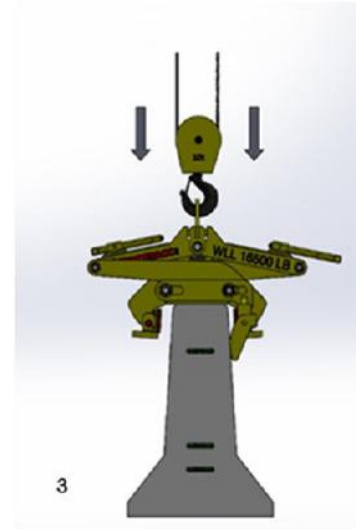
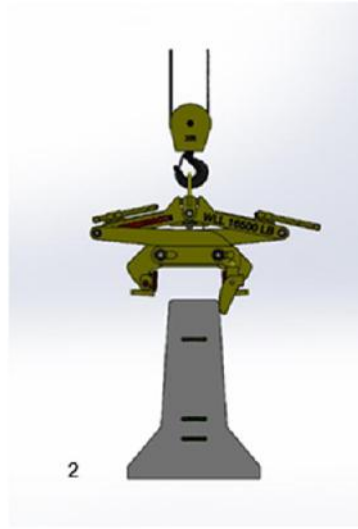
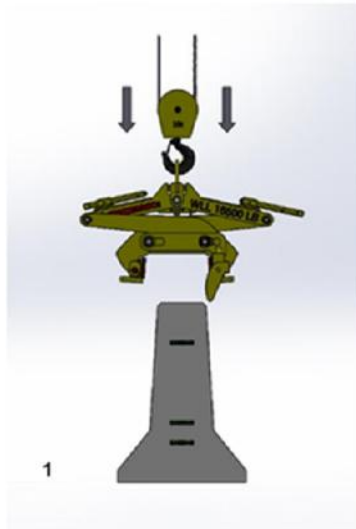
Tandemloc, Inc. designs, manufactures and tests lifting, securing and mobilizing components for all industries. See our website for details and important safety information.

Read all safety labels and instructions prior to use. Product to be used by qualified personnel only.

# 6"-12" WIDE (TOP SURFACE) CONCRETE BARRIER GRAB, WLL 16,500 LB. (AS23B00-165-PA)

Cage Code: 65059 | Drawing No: SAS23B00-165-PA | Revision: - | Sheet: 2 of 3

UNLESS OTHERWISE SPECIFIED, DIMENSIONS ARE IN INCHES



## NOTES: Operational Instructions

1. Place the Grab over the barrier
2. Lowering the Grab showing the optional positioning guide contacting the barrier.
3. Setting the lifter on the top surface of the barrier and continuing to lower to release the Tandemloc Autolatch™
4. Raise the lifter, engaging the barrier and performing the lift.

To position the barrier it must be placed on the ground and the lifter again set on the top of the barrier. This actuates the Tandemloc Autolatch™ allowing the lifter to be raised, leaving the barrier in its placement location.

Ground personnel must remain diligent in staying clear of the load being lifted or positioned to avoid accidental injury or death

To avoid lifter failure, potential death and property damage, never exceed WLL (Working Load Limit).

This document contains the proprietary information of Tandemloc, Inc. and your access and use shall be, and is at all times, pursuant to and limited by the Tandemloc, Inc. Terms of Use.

You shall not, and shall not encourage, assist, or authorize another party to copy, distribute, publicly display, modify, reverse engineer, decompile, or take any other action to reproduce this document or the information contained herein. © Copyright 2014 by Tandemloc, Inc.

Dimensions are subject to manufacturing tolerance and change.



Email: [info@tandemloc.com](mailto:info@tandemloc.com) • [www.tandemloc.com](http://www.tandemloc.com)

824 Highway 101 • Havelock, NC 28532

Tel: 1.800.258.7324 (252.447.7155)

FAX 1.800.892.3273 (252.447.5502)

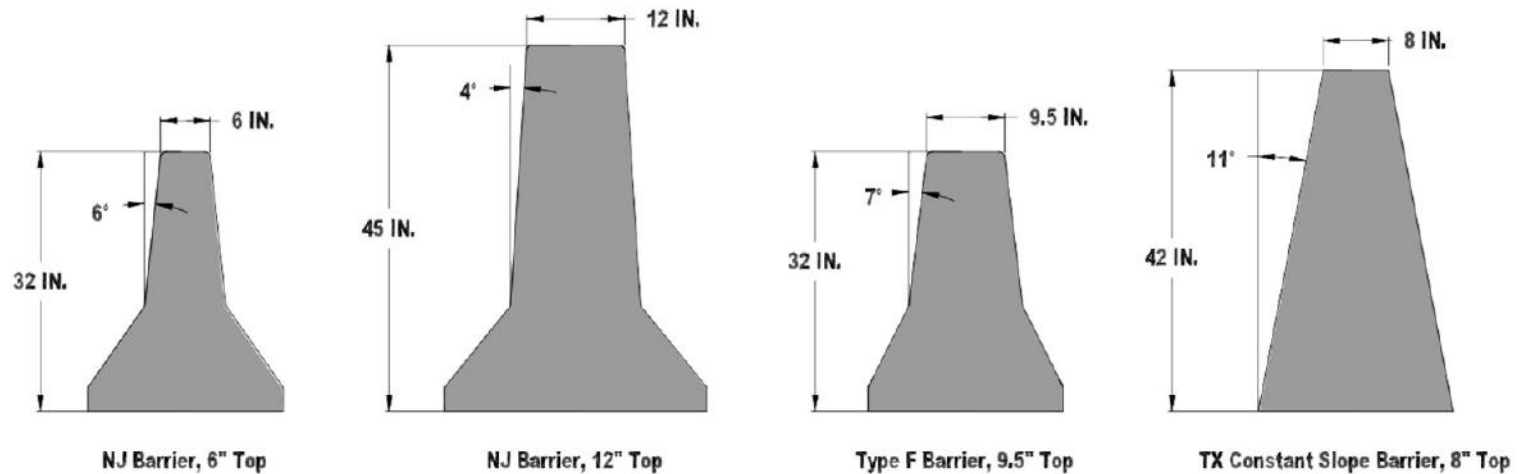
Tandemloc, Inc. designs, manufactures and tests lifting, securing and mobilizing components for all industries. See our website for details and important safety information.

Read all safety labels and instructions prior to use. Product to be used by qualified personnel only.

# 6"-12" WIDE (TOP SURFACE) CONCRETE BARRIER GRAB, WLL 16,500 LB. (AS23B00-165-PA)

Cage Code: 65059 | Drawing No: SAS23B00-165-PA | Revision: - | Sheet: 3 of 3

UNLESS OTHERWISE SPECIFIED, DIMENSIONS ARE IN INCHES



## NOTES:

Barrier profiles that the Tandemloc AS23B series Barrier Grabs can grip and lift are;

1. NJ Barrier, 6" – 12" top
2. Type F Barrier
3. TX Constant Slope Barrier
4. CA Barrier Profile (not shown)

To avoid lifter failure, potential death and property damage, never exceed WLL (Working Load Limit).

This document contains the proprietary information of Tandemloc, Inc. and your access and use shall be, and is at all times, pursuant to and limited by the Tandemloc, Inc. Terms of Use.

You shall not, and shall not encourage, assist, or authorize another party to copy, distribute, publicly display, modify, reverse engineer, decompile, or take any other action to reproduce this document or the information contained herein. © Copyright 2014 by Tandemloc, Inc.

Dimensions are subject to manufacturing tolerance and change.



Email: [info@tandemloc.com](mailto:info@tandemloc.com) • [www.tandemloc.com](http://www.tandemloc.com)

824 Highway 101 • Havelock, NC 28532

Tel: 1.800.258.7324 (252.447.7155)

FAX 1.800.892.3273 (252.447.5502)

Tandemloc, Inc. designs, manufactures and tests lifting, securing and mobilizing components for all industries. See our website for details and important safety information.

Read all safety labels and instructions prior to use. Product to be used by qualified personnel only.